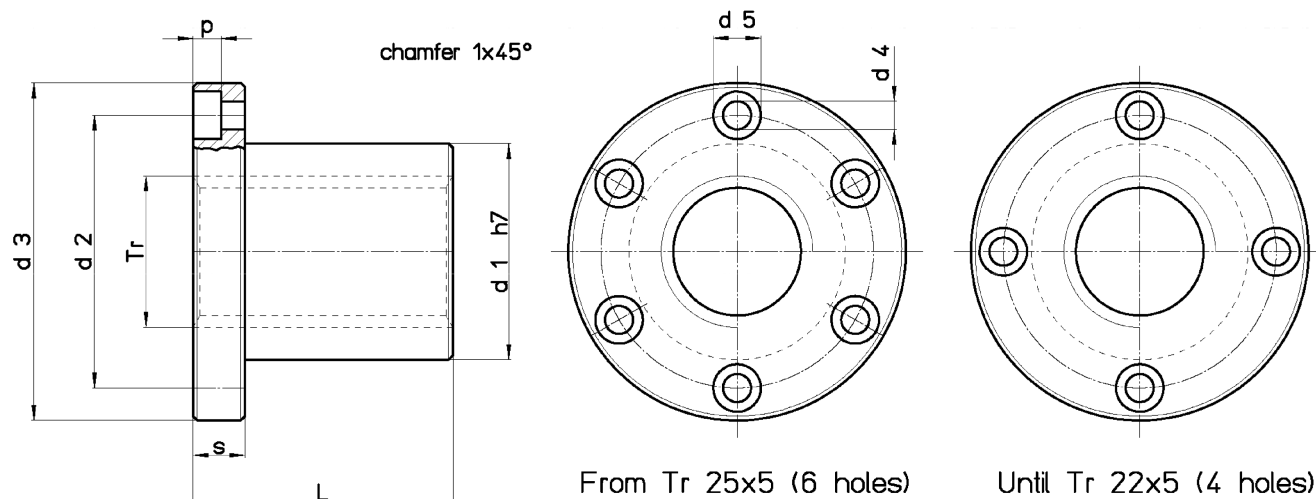


Trapezoidal nut type FTN - Flanged bronze

Material: EN 1982 Cu Sn5 Zn5 Pb5-C – CC491K

Flanged bronze nut for movement of modest loads compared with FXN, HDL and HAL. Good lubrication is recommended. Flange dimensions make them fully interchangeable with FXN, HDL, HAL and FCS (total length and flange thickness change).



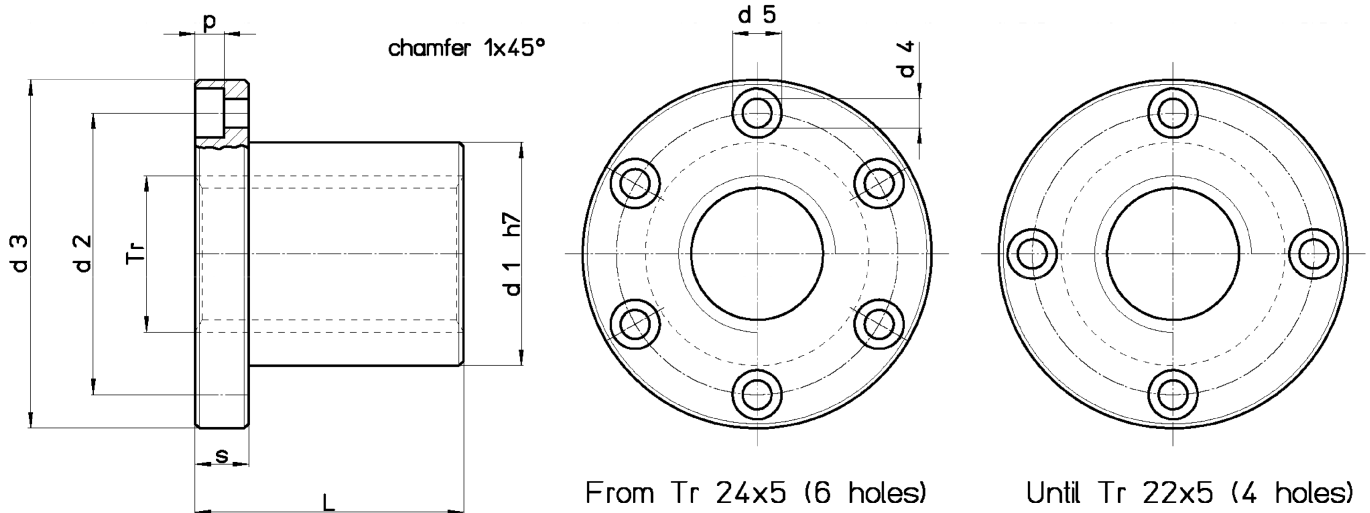
Nut Stock no. RIGHT	Nut Stock no. LEFT	Diameter x lead	Thread starts	d1 mm	d2 mm	d3 mm	d4 mm	d5 mm	p mm	L mm	s mm	no. screw holes	Fastening screws (class 8.8)	Wt. kg/each	At mm ² (1)
FTN 10 A R	FTN 10 A L	Tr 10x3	1	18	26	37	4.5	7.5	4.2	22	8	4	M4	0.088	294
FTN 12 A R	FTN 12 A L	Tr 12x3	1	18	26	37	4.5	7.5	4.2	22	8	4	M4	0.082	362
FTN 14 A R	FTN 14 A L	Tr 14x4	1	20	30	42	5.5	9,5	5.2	25	10	4	M5	0.123	470
FTN 16 A R	FTN 16 A L	Tr 16x4	1	22	32	45	5.5	9,5	5.2	30	10	4	M5	0.149	660
FTN 18 A R	FTN 18 A L	Tr 18x4	1	25	35	48	5.5	9,5	5.2	35	10	4	M5	0.188	880
FTN 20 A R	FTN 20 A L	Tr 20x4	1	30	40	52	5.5	9,5	5.2	40	10	4	M5	0.267	1130
FTN 22 A R	FTN 22 A L	Tr 22x5	1	30	40	52	5.5	9,5	5.2	40	10	4	M5	0.247	1225
FTN 25 A R	FTN 25 A L	Tr 25x5	1	35	48	62	6.5	11	6.5	45	12	6	M6	0.393	1590
FTN 28 A R	FTN 28 A L	Tr 28x5	1	40	53	68	6.5	11	6.5	50	12	6	M6	0.532	2000
FTN 30 R R	FTN 30 R L	Tr 30x3	1	40	53	68	6.5	11	6.5	50	12	6	M6	0.482	2238
FTN 30 Q R	FTN 30 Q L	Tr 30x4	1	40	53	68	6.5	11	6.5	50	12	6	M6	0.487	2200
FTN 30 P R	FTN 30 P L	Tr 30x5	1	40	53	68	6.5	11	6.5	50	12	6	M6	0.492	2160
FTN 30 A R	FTN 30 A L	Tr 30x6	1	40	53	68	6.5	11	6.5	50	12	6	M6	0.497	2120
FTN 35 R R	FTN 35 R L	Tr 35x3	1	50	63	78	8.5	14	8.5	60	15	6	M8	0.862	3160
FTN 35 Q R	FTN 35 Q L	Tr 35x4	1	50	63	78	8.5	14	8.5	60	15	6	M8	0.869	3110
FTN 35 P R	FTN 35 P L	Tr 35x5	1	50	63	78	8.5	14	8.5	60	15	6	M8	0.876	3060
FTN 35 A R	FTN 35 A L	Tr 35x6	1	50	63	78	8.5	14	8.5	60	15	6	M8	0.883	3015
FTN 35 M R	--	Tr 35x8	1	50	63	78	8.5	14	8.5	60	15	6	M8	0.898	2920
FTN 40 R R	FTN 40 R L	Tr 40x3	1	55	68	84	8.5	14	8.5	65	15	6	M8	1.030	3930
FTN 40 Q R	FTN 40 Q L	Tr 40x4	1	55	68	84	8.5	14	8.5	65	15	6	M8	1.039	3880
FTN 40 P R	FTN 40 P L	Tr 40x5	1	55	68	84	8.5	14	8.5	65	15	6	M8	1.048	3828
FTN 40 O R	FTN 40 O L	Tr 40x6	1	55	68	84	8.5	14	8.5	65	15	6	M8	1.057	3778
FTN 40 A R	FTN 40 A L	Tr 40x7	1	55	68	84	8.5	14	8.5	65	15	6	M8	1.066	3727
FTN 40 M R	--	Tr 40x8	1	55	68	84	8.5	14	8.5	65	15	6	M8	1.075	3675
FTN 45 A R	FTN 45 A L	Tr 45x8	1	55	72	90	8.5	14	8.5	65	15	6	M8	0.999	4186
FTN 50 R R	FTN 50 R L	Tr 50x3	1	65	80	100	10.5	17	10.5	80	20	6	M10	1.679	6095
FTN 50 Q R	FTN 50 Q L	Tr 50x4	1	65	80	100	10.5	17	10.5	80	20	6	M10	1.693	6030
FTN 50 P R	FTN 50 P L	Tr 50x5	1	65	80	100	10.5	17	10.5	80	20	6	M10	1.707	5970
FTN 50 O R	FTN 50 O L	Tr 50x6	1	65	80	100	10.5	17	10.5	80	20	6	M10	1.721	5905
FTN 50 A R	FTN 50 A L	Tr 50x8	1	65	80	100	10.5	17	10.5	80	20	6	M10	1.749	5780
FTN 55 A R	--	Tr 55x9	1	65	80	100	10.5	17	10.5	80	20	6	M10	1.475	6345
FTN 60 O R	FTN 60 O L	Tr 60x6	1	75	95	120	12.5	19	12.5	100	25	6	M12	2.865	8950
FTN 60 N R	FTN 60 N L	Tr 60x7	1	75	95	120	12.5	19	12.5	100	25	6	M12	2.886	8875
FTN 60 A R	FTN 60 A L	Tr 60x9	1	75	95	120	12.5	19	12.5	100	25	6	M12	2.927	8718

(1) Total bearing surface between screw and nut teeth on plane perpendicular to axis.

Trapezoidal nut type FXN - Flanged bronze

Material: EN 1982 Cu Sn12-C – CC483K

Tin bronze nut especially suitable for continuous movement with good wear resistance. Good lubrication is recommended. Flange dimensions make them fully interchangeable with FTN, HDL, HAL and FCS (total length and flange thickness change).



Nut Stock no. RIGHT	Nut Stock no. LEFT	Diameter x lead	Thread starts	d1 mm	d2 mm	d3 mm	d4 mm	d5 mm	p mm	L mm	s mm	no. screw holes	Fastening screws (class 8.8)	Wt. kg/each	At mm ² (1)
FXN 10 A R	FXN 10 A L	Tr 10x3	1	18	26	37	4.5	7.5	4.2	22	8	4	M4	0.088	294
FXN 12 A R	FXN 12 A L	Tr 12x3	1	18	26	37	4.5	7.5	4.2	22	8	4	M4	0.082	362
FXN 12 B R	--	Tr 12x6 (P3)	2	18	26	37	4.5	7.5	4.2	22	8	4	M4	0.082	362
FXN 14 A R	FXN 14 A L	Tr 14x4	1	20	30	42	5.5	9.5	5.2	25	10	4	M5	0.123	470
FXN 16 A R	FXN 16 A L	Tr 16x4	1	22	32	45	5.5	9.5	5.2	30	10	4	M5	0.149	660
FXN 16 B R	--	Tr 16x8 (P4)	2	22	32	45	5.5	9.5	5.2	30	10	4	M5	0.149	660
FXN 18 A R	FXN 18 A L	Tr 18x4	1	25	35	48	5.5	9.5	5.2	35	10	4	M5	0.188	880
FXN 20 A R	FXN 20 A L	Tr 20x4	1	30	40	52	5.5	9.5	5.2	40	10	4	M5	0.267	1130
FXN 20 B R	--	Tr 20x8 (P4)	2	30	40	52	5.5	9.5	5.2	40	10	4	M5	0.267	1130
FXN 20 D R	--	Tr 20x20 (P5)	4	30	40	52	5.5	9.5	5.2	40	10	4	M5	0.270	1100
FXN 22 A R	FXN 22 A L	Tr 22x5	1	30	40	52	5.5	9.5	5.2	40	10	4	M5	0.247	1225
FXN 24 A R	FXN 24 A L	Tr 24x5	1	35	48	62	6.5	11	6.5	45	12	6	M6	0.408	1520
FXN 25 A R	FXN 25 A L	Tr 25x5	1	35	48	62	6.5	11	6.5	45	12	6	M6	0.393	1590
FXN 25 B R	--	Tr 25x10 (P5)	2	35	48	62	6.5	11	6.5	45	12	6	M6	0.393	1590
FXN 25 E R	--	Tr 25x25 (P5)	5	35	48	62	6.5	11	6.5	45	12	6	M6	0.393	1590
FXN 26 A R	FXN 26 A L	Tr 26x5	1	35	48	62	6.5	11	6.5	45	12	6	M6	0.378	1660
FXN 28 A R	FXN 28 A L	Tr 28x5	1	40	53	68	6.5	11	6.5	50	12	6	M6	0.532	2000
FXN 28 B R	--	Tr 28x10 (P5)	2	40	53	68	6.5	11	6.5	50	12	6	M6	0.532	2000
FXN 30 A R	FXN 30 A L	Tr 30x6	1	40	53	68	6.5	11	6.5	50	12	6	M6	0.497	2120
FXN 30 B R	--	Tr 30x12 (P6)	2	40	53	68	6.5	11	6.5	50	12	6	M6	0.497	2120
FXN 30 F R	--	Tr 30x30 (P5)	6	40	53	68	6.5	11	6.5	50	12	6	M6	0.492	2590
FXN 32 A R	FXN 32 A L	Tr 32x6	1	40	53	68	6.5	11	6.5	50	12	6	M6	0.455	2277
FXN 35 A R	FXN 35 A L	Tr 35x6	1	50	63	78	8.5	14	8.5	60	15	6	M8	0.883	3015
FXN 36 A R	FXN 36 A L	Tr 36x6	1	50	63	78	8.5	14	8.5	60	15	6	M8	0.854	3110
FXN 40 A R	FXN 40 A L	Tr 40x7	1	55	68	84	8.5	14	8.5	65	15	6	M8	1.066	3727
FXN 40 B R	--	Tr 40x14 (P7)	2	55	68	84	8.5	14	8.5	65	15	6	M8	1.066	3727
FXN 40 E R	--	Tr 40x40 (P8)	5	55	68	84	8.5	14	8.5	65	15	6	M8	1.075	3675
FXN 44 A R	FXN 44 A L	Tr 44x7	1	55	72	90	8.5	14	8.5	65	15	6	M8	1.029	4135
FXN 45 A R	FXN 45 A L	Tr 45x8	1	55	72	90	8.5	14	8.5	65	15	6	M8	0.999	4186
FXN 50 A R	FXN 50 A L	Tr 50x8	1	65	80	100	10.5	17	10.5	80	20	6	M10	1.749	5780
FXN 55 A R	--	Tr 55x9	1	65	80	100	10.5	17	10.5	80	20	6	M10	1.475	6345
FXN 60 A R	FXN 60 A L	Tr 60x9	1	75	95	120	12.5	19	12.5	100	25	6	M12	2.927	8718

(1) Total bearing surface between screw and nut teeth on plane perpendicular to axis.