

# HI-TECH, DOUBLE SEAL, UNITS

## DOUBLE SEAL

This is the first ball transfer design that incorporates double sealing for excluding debris from the bearings.

The top cover seal removes larger particles and the inner knife edge scraper seal skims liquid, paste, fine dust, etc. off the large ball and expels it through side vents.

A dirt exit hole can also be incorporated.

## RUST RESISTANT UNITS (Type 15 only)

All parts are of non-rusting material, impervious to the most severe industrial environment and have high impact resistance.

The main bearing track is hardened and has been load and life tested. The ball unit runs equally well inverted or at an angle.

## MATERIALS

Steel (Type 13) or stainless (Type 15) load components and bearings.

Hi-Tech Units have the same rated load capacities as the Ø25.4mm Hevi-Load units (see pages 22 & 23). The Hi-tech units have glass re-inforced nylon bodies so their weight is less than half that of the Ø25.4mm Hevi-Load units.

Stainless steel bearings with steel load components (Type 16) are available on request.

## CHEMICAL RESISTANCE

High resistance to organic solvents, petrol and oil.

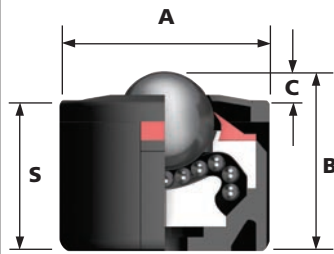
Seek our advice if in doubt.

## TEMPERATURE

-30°C upto +100°C.

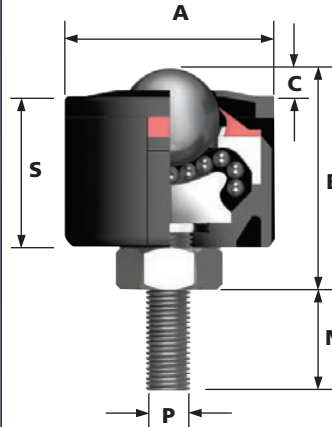
### 6025-0

Features: High load Capacity. Dimensionally compatible with Hevi-Load 7121.



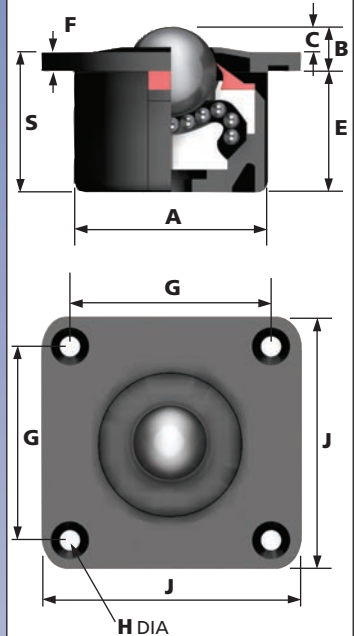
### 6025-1

Features: Bolt fixing high load capacity. If used for height adjustment the locknut must remain secured to the body. Maximum tightening torque is 15Nm.



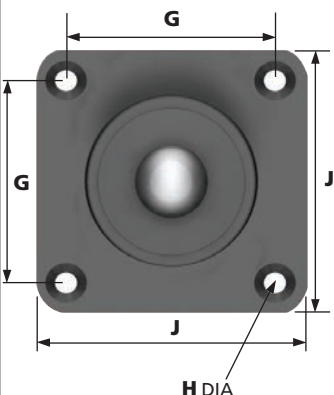
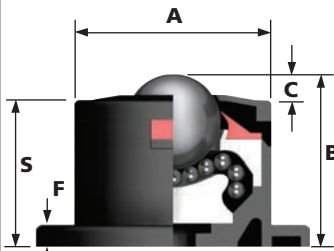
### 6025-2

Features: Top flange high load capacity. Dimensionally compatible with Hevi-load 7125.



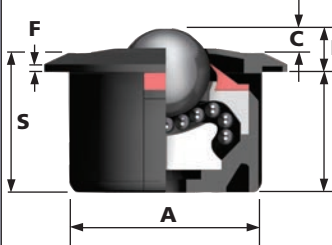
### 6025-3

Features: High load capacity. Ball height compatible with Hevi-load 7123.



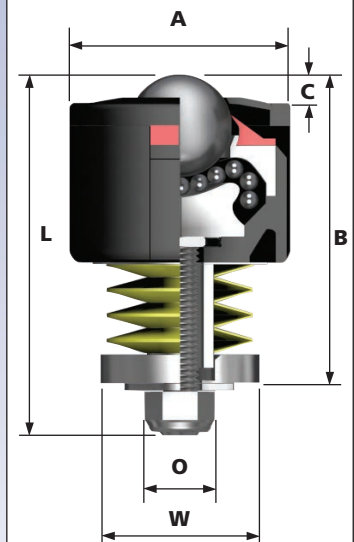
### 6025-4

Features: High load capacity. Coned flange for smoother on-off transfer.



### 6025-5

Features: Ideal for shock loading. Stainless steel springs available on request. Compatible with Hevi-load 7136, 7139, 7137, 7135.



REF No.	BALL SIZE (mm)	BEARING COMPONENTS	WEIGHT (KGS)	DIMENSIONS (mm)											DYNAMIC LOAD CAPACITY (kg)		
				A Maximum Diameter	B Working Height of Ball	C Ball Exposure above Outer Ring	E Under Flange to Base	F Flange Thickness	G Centres of Fixing Holes	H Hole Diameter of Fixing Holes and countersunk Ø	J Major Flange Size	N Length of Thread	P Thread Size	S Base to Top of Body	TYPE 13 Carbon Steel Bearings, Zinc Plated Pressings	TYPE 15 Stainless Steel Bearings and Pressings	
<b>TYPE 0</b>																	
6025-0-15	25.4	Stainless	0.238	50.8	45.0	6.7	-	-	-	-	-	-	-	-	-	-	240
6025-0-13		Ferrous		320	-												
<b>TYPE 1</b>																	
6025-1-15	25.4	Stainless	0.274	50.8	53	6.7	-	-	-	-	-	17.6	M10	38.3	-	240	
6025-1-13		Ferrous		320	-	32.6	42.6	-									
<b>TYPE 2</b>																	
6025-2-15	25.4	Stainless	0.260	50.8	13.0	6.7	32.0	6.3	58.0 ±0.2	6.7	13.2	76.0	-	-	38.3	-	240
6025-2-13		Ferrous		320	-												
<b>TYPE 3</b>																	
6025-3-15	25.4	Stainless	0.260	50.8	45.0	6.7	-	6.3	58.0 ±0.2	6.7	13.2	76.0	-	-	38.3	-	240
6025-3-13		Ferrous		320	-												
<b>TYPE 4</b>																	
6025-4-15	25.4	Stainless	0.250	50.8	13.0	6.7	32.0	3.0	-	-	68.6	-	-	38.3	-	240	
6025-4-13		Ferrous		320	-												

General Tolerance unless stated ±0.3mm

DIMENSIONS (mm)						DYNAMIC SUPPORT LOAD (Kg)	LOAD FOR MAXIMUM DEFLECTION	
A Maximum Diameter	B Working Height of Ball	C Ball Exposure Above Outer Ring	L Overall Length	O M10 Nut Clearance Diameter	W Collar Diameter		(Kg)	(mm)

**TYPE 5**

6025-5-15A	25.4	Stainless	0.330	50.8	61.9	6.7	77.0	20.0	38.1	7	100	3.2
6025-5-13A		Ferrous										
6025-5-15B	25.4	Stainless	0.330	50.8	61.5	6.7	77.0	20.0	38.1	23	110	3.2
6025-5-13B		Ferrous										
6025-5-15C	25.4	Stainless	0.330	50.8	60.7	6.7	77.0	20.0	38.1	45	120	3.2
6025-5-13C		Ferrous										
6025-5-15D	25.4	Stainless	0.335	50.8	61.9	6.7	77.0	20.0	38.1	70	125	3.2
6025-5-13D		Ferrous										
6025-5-15E	25.4	Stainless	0.470	50.8	81.0	6.7	98.4	20.0	38.1	90	210	3.2
6025-5-13E		Ferrous										
6025-5-15F	25.4	Stainless	0.470	50.8	79.8	6.7	98.4	20.0	38.1	140	245	3.2
6025-5-13F		Ferrous										
6025-5-15G	25.4	Stainless	0.480	50.8	81.0	6.7	98.4	20.0	38.1	180	270	3.2
6025-5-13G		Ferrous										
6025-5-15H	25.4	Stainless	0.490	50.8	81.0	6.7	98.4	20.0	38.1	230	310	3.2
6025-5-13H		Ferrous										

To order, specify REF N°, i.e. 6025-0-15.

General Spring Rating Tolerance unless stated ±10%