

MINI BALL TRANSFER UNITS

| REF No | Ball Size (mm) | Weight (Kg) | A | B | C | L | N | P | Dynamic Load Up Rating (Kg) |
|----------------------|----------------|-------------|----|------|-----|------|-----|----|-----------------------------|
| 11MI-05-13 | 4.8 | 0.01 | 13 | 9 | 1 | 24 | 15 | M6 | 10 |
| 11MI-05-15 | | 0.003 | 8 | 6 | | 8.5 | 2.5 | M2 | 5 |
| 11MI-05-17 | | | | | | | | | |
| 11MI-06-13 | 6.4 | 0.02 | 17 | 11 | 2 | 26 | 15 | M6 | 20 |
| 11MI-06-15 | | 0.008 | 13 | 10.5 | | 16.5 | 6 | M3 | 10 |
| 11MI-06-17 | | | | | | | | | |
| 11MI-08-13 | 7.9 | 0.03 | 18 | 14 | 2 | 32 | 18 | M8 | 30 |
| 11MI-08-15 | | 0.011 | 15 | 12.5 | | 20.5 | 8 | M4 | 15 |
| 11MI-08-17 | | | | | | | | | |
| 11MI-10-13 | 9.6 | 0.06 | 23 | 20 | 2 | 40 | 20 | M8 | 40 |
| 11MI-10-15 | | | | | | | | | |
| 11MI-13-13 | 12.7 | 0.1 | 28 | 25 | 3.5 | 48 | 23 | M8 | 50 |
| 11MI-13-15 | | | | | | | | | |
| 11MI-16-13 | 15.8 | 0.05 | 24 | 20.5 | 4 | 32.5 | 12 | M6 | 70 |
| 11MI-16-15 | | 0.06 | | | | | | | |
| 11MI-16-13-FT | | | | | | | | | |
| 11MI-16-15-FT | | | | | | | | | |

Applications

Measuring Equipment

Lightweight Coilholder

Guides for small linear motion
(eg photo copier slides)

Transfer of material in clean rooms

Miniature mechanisms

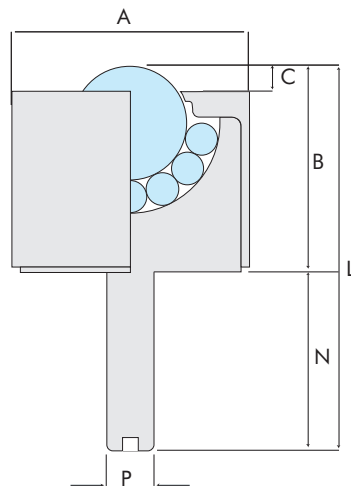
All thread sizes for dimension "P" are metric coarse

Carbon Steel type 13 mini ball transfer units are assembled with a small amount of oil to protect the carbon steel balls from oxidation.

11MI-16-13 & 11MI-16-15

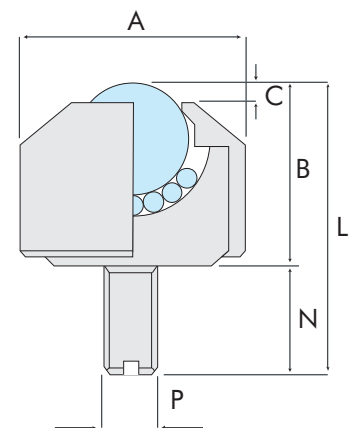
Can be supplied as Flat-Topped "FT" or as angled top

Type 13 & 15



Flat Top = FT

Type 17



11MI-16-13 and 11MI-16-15 have angled top.

| REF No | Balls | Body |
|--|--|---|
| 11MI-05-17 11MI-06-17 11MI-08-17 | Stainless Steel Load Ball Stainless Steel Small Balls | Aluminium Outer Cover Stainless Steel Screw Thread |
| 11MI-05-13 11MI-06-13 | Carbon Steel Load Ball Stainless Steel Small Balls | Carbon Steel Outer Cover Stainless Steel Screw Thread |
| 11MI-05-15 11MI-06-15 | Stainless Steel Load Ball Stainless Steel Small Balls | Stainless Steel Outer Cover and Stainless Steel Screw Thread |
| 11MI-08-13 11MI-10-13 11MI-13-13 11MI-16-13 | Carbon Steel Load Ball Chrome Steel Small Balls | Carbon Steel Outer Cover Stainless Steel Screw Thread |
| 11MI-08-15 11MI-10-15 11MI-13-15 11MI-16-15 | Stainless Steel Load Ball Stainless Steel Small Balls | Stainless Steel Outer Cover and Stainless Steel Screw Thread |
| 11MI-16-13-FT | Carbon Steel Load Ball Carbon Steel Small Balls | Carbon Steel Outer Cover Carbon Steel Screw Thread |
| 11MI-16-15-FT | Stainless Steel Load Ball Stainless Steel Small Balls | Stainless Steel Outer Cover and Stainless Steel Screw Thread |