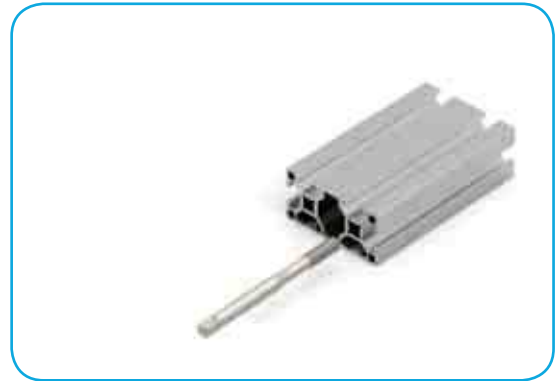


# Accessories

TRANSPORT LINES AND FLEXIBLE CONSTRUCTIONS IN AUTOMATION

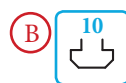
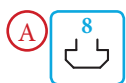
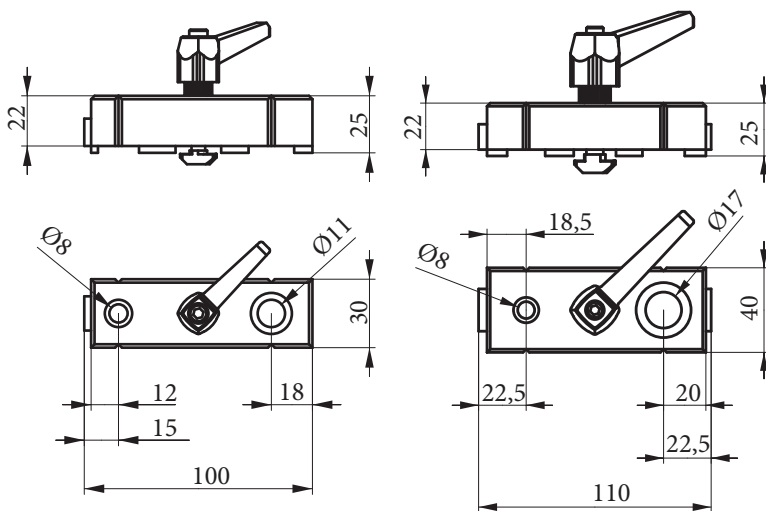
Naziv Description	Sveder za valjanje navojev Thread forming tap	Maschi rullatori Gewindeformer	Descrizione Beschreibung
----------------------	--	-----------------------------------	-----------------------------



ISO Metric thread	
M	Drill diameter Ø [mm]
8	7,4
10	9,3
12	11,2
16	15

Thread forming tap	M		Code
	8	3g	13001
	10	3g	13002
	12	3g	13003
	16	3g	13004

Naziv Description	Priprava za vrтанje Drilling device	Dispositivo di perforazione Bohrvorrichtung	Descrizione Beschreibung
----------------------	--	--	-----------------------------



Drilling device		Code
	260g	<b>(A)</b> 13005
	300g	<b>(B)</b> 13006