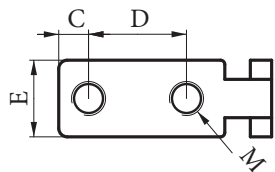
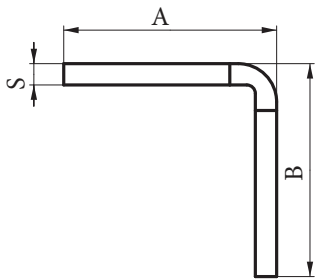


Joining elements

TRANSPORT LINES AND FLEXIBLE CONSTRUCTIONS IN AUTOMATION

Naziv Description	Kotnik notranji 90° Inside angle 90°	Angolare interno 90° Inneneckverbinder 90°	Descrizione Beschreibung
----------------------	---	---	-----------------------------



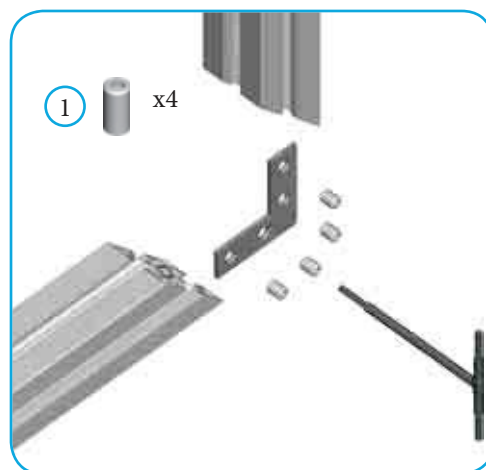
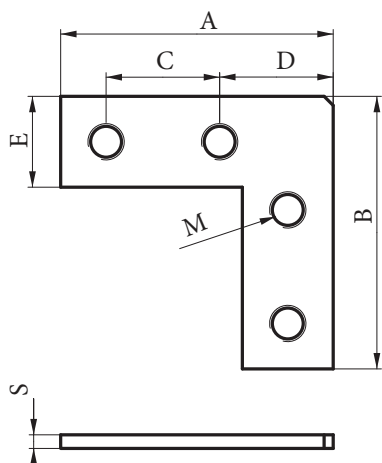
* Only for profile 40



M	A	B	C	D	E	S		Code
8	50	50	7	22,5	18	3	32g	11157*
8	50	50	7	22,5	18	5	50g	11118

Assembly components - sold separately			Code
1	Threaded insert M8x10	36	11033

Naziv Description	Kotnik zunanji 90° Outside angle 90°	Angolare esterno 90° Äussere Eckverbinder 90°	Descrizione Beschreibung
----------------------	---	--	-----------------------------



M	A	B	C	D	E	S		code
6	46	46	20	19	16	3	26g	11119



M	A	B	C	D	E	S		code
8	60	60	25	25	20	3	42g	11120

Assembly components - sold separately			Code
8	1	Threaded insert M6x8	36 11031
10	2	Threaded insert M8x10	36 11033