

Accessories

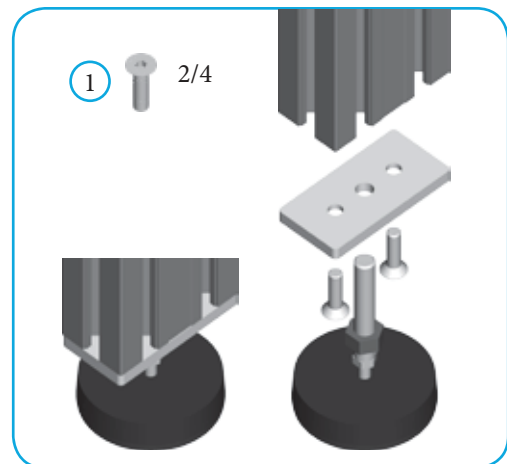
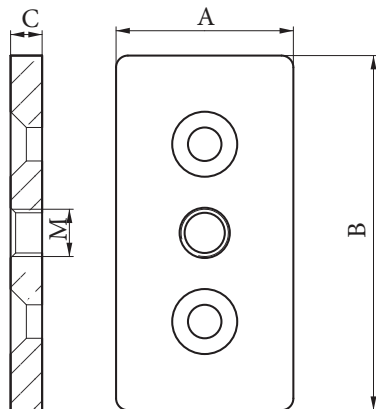
TRANSPORT LINES AND FLEXIBLE CONSTRUCTIONS IN AUTOMATION


Naziv
Description


Plošča zaključna
Plate

Piastra
Schlussplatte

Descrizione
Beschreibung



A	B	M	C		Code
30	60	8	8	92g	12114
30	60	12	8	92g	12056
30	90	12	8	196g	12057
40	80	12	8	89g	12162
45	90	12	8	231g	12058
45	90	16	8	500g	12059
60	90	12	8	314g	12060
60	90	16	8	304g	12061
80	80	16	8	400g	12188
90	90	16	8	468g	12062
90	90	20	8	460g	12063

Assembly components - sold separately			Code
①	Screw with countersunk head M8x25		11029