

Accessories

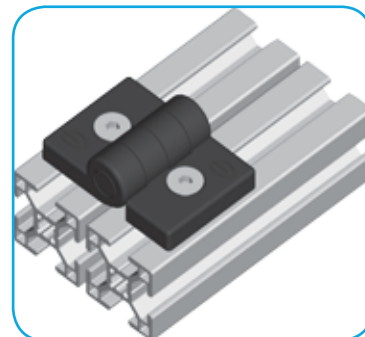
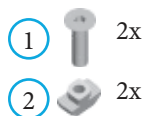
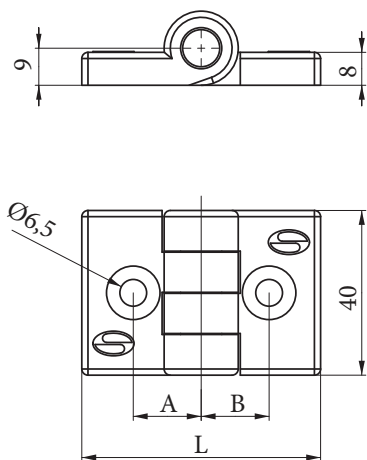
TRANSPORT LINES AND FLEXIBLE CONSTRUCTIONS IN AUTOMATION

Naziv
Description

Tečaj PA
Hinge PA

Cerniera PA
Scharnier PA

Descrizione
Beschreibung



PA6	8/8	A	B	L	Profile		Code
		17	17	58	30 x 30	45g	12068

Assembly components - sold separately							Code
1	Screw with countersunk head M6x16					36	11027
2	Hammer Nut M6 U8					38	11057

PA6	8/10	A	B	L	Profile		Code
		17	24,5	74	30 x 45	48g	12069
		17	32	89	30 x 60	50g	12070

Assembly components - sold separately							Code
1	Screw with countersunk head M6x16					36	11027
2	Hammer Nut M6 U8					38	11057

Assembly components - sold separately							Code
1	Screw with countersunk head M6x16					36	11027
2	Hammer Nut M6 U10					38	11060

PA6	10/10	A	B	L	Profile		Code
		24,5	24,5	90	45 x 45	52g	12071
		24,5	32	105	45 x 60	54g	12072
		32	32	120	60 x 60	54g	12099

Assembly components - sold separately							Code
1	Screw with countersunk head M6x16					36	11027
2	Hammer Nut M6 U10					38	11060

Accessories

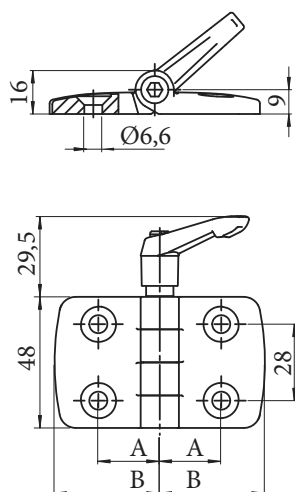
TRANSPORT LINES AND FLEXIBLE CONSTRUCTIONS IN AUTOMATION

Naziv
Description

Tečaj z ročico
Hinge with lever

Cerniera con maniglia
Scharnier mit Aretierung

Descrizione
Beschreibung



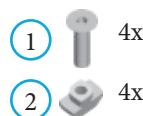
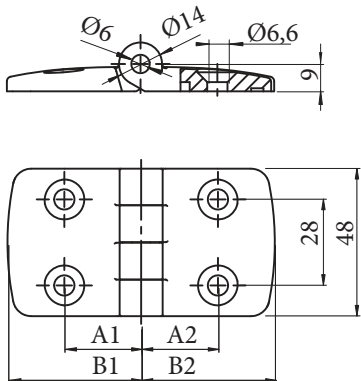
PA6	8/8	A	B	Profile		Code
		17,5	29,5	30 x 30	50g	12073

Assembly components - sold separately						Code
1		Screw with countersunk head M6x12			36	11162
2		Hammer Nut M6 U8			38	11057

PA6	10/10	A	B	Profile		Code
		22,5	38,5	40 x 40	57g	12117
		25	43,5	45 x 45	60g	12074
		32,5	57,5	60 x 60	69g	12075

Assembly components - sold separately						Code
1		Screw with countersunk head M6x16			36	11162
2		Hammer Nut M6 U10			38	11060

Naziv Description	Tečaj PA Hinge PA	Cerniera PA Scharnier PA	Descrizione Beschreibung
------------------------------------	----------------------	-----------------------------	---



PA6		A1	A2	B1	B2	Profile		Code
		17,5	17,5	29,5	29,5	30 x 30	36g	12102

Assembly components - sold separately							Code
①	Screw with countersunk head M6x12					36	11162
②	Hammer Nut M6 U8					38	11057

PA6		A1	A2	B1	B2	Profile		Code
		17,5	22,5	29,5	38,5	30 x 40	37g	12118
		17,5	25	29,5	43,5	30 x 45	40g	12103
		17,5	32,5	29,5	57,5	30 x 60	46g	12104

Assembly components - sold separately							Code
①	Screw with countersunk head M6x12					36	11162
②	Hammer Nut M6 U8					38	11057

Assembly components - sold separately							Code
①	Screw with countersunk head M6x12						11162
②	Hammer Nut M6 U10					33	11060

PA6		A1	A2	B1	B2	Profile		Code
		22,5	22,5	38,5	38,5	40 x 40	44g	12119
		22,5	32,5	38,5	57,5	40 x 60	47g	12120
		25	22,5	43,5	38,5	45 x 40	44g	12121
		25	25	43,5	43,5	45 x 45	46g	12105
		25	32,5	43,5	57,5	45 x 60	50g	12106
		32,5	32,5	57,5	57,5	60 x 60	56g	12107

Assembly components - sold separately							Code
①	Screw with countersunk head M6x16					36	11027
②	Hammer Nut M6 U10					38	11060

Accessories

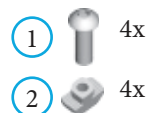
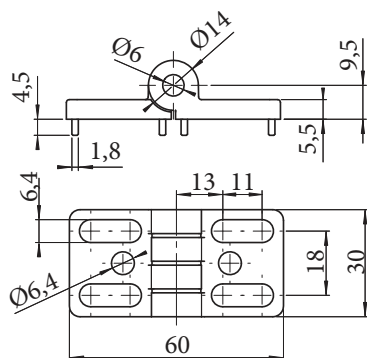
TRANSPORT LINES AND FLEXIBLE CONSTRUCTIONS IN AUTOMATION

Naziv
Description

Tečaj cinkova zlitina
Hinge Die-cast zinc

Cerniera Zama
Scharnier Zinkdruckguss

Descrizione
Beschreibung



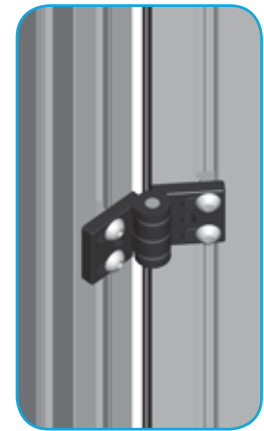
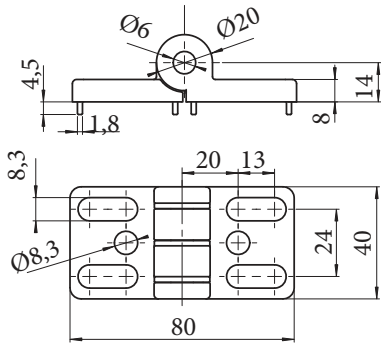
	Profile			Code
	Hinge Die-cast zinc	30 x 30	71g	12108
Assembly components - sold separately				Code
①	Screw with round head M6x12		35	11017
②	Hammer Nut M6 U8		38	11057
	Profile			Code
	Hinge Die-cast zinc	30 x 40 30 x 45	71g	12108
Assembly components - sold separately				Code
①	Screw with round head M6x12		35	11017
②	Hammer Nut M6 U8		38	11057
Assembly components - sold separately				Code
①	Screw with round head M6x16		35	11018
②	Hammer Nut M6 U10		38	11060

Naziv
Description

Tečaj cinkova zlitina
Hinge Die-cast zinc

Cerniera Zama
Scharnier Zinkdruckguss

Descrizione
Beschreibung



Profile				📦	Code
Hinge	40x40 40x45 45 x 45 40x60 45 x 60 60 x 60			180g	12110

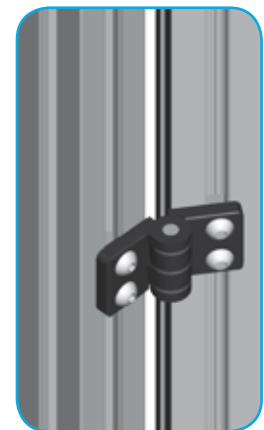
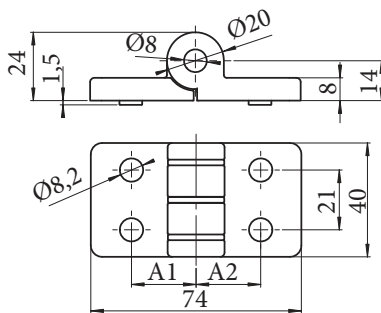
Assembly components - sold separately				Code
①	Screw with round head M8x20	📄 35		11023
②	Hammer Nut M8 U10	📄 38		11061

Naziv
Description

Tečaj cinkova zlitina
Hinge Die-cast zinc

Cerniera Zama
Scharnier Zinkdruckguss

Descrizione
Beschreibung



	A1	A2	Profile	📦	Code
Hinge	22,5	22,5	40 x 40	194g	12122
Hinge	22,5	22,5	40 x 45	100g	12123
Hinge	25	25	45 x 45	194g	12113

Assembly components - sold separately				Code
①	Screw with round head M8x20	📄 35		11023
②	Hammer Nut M8 U10	📄 38		11061