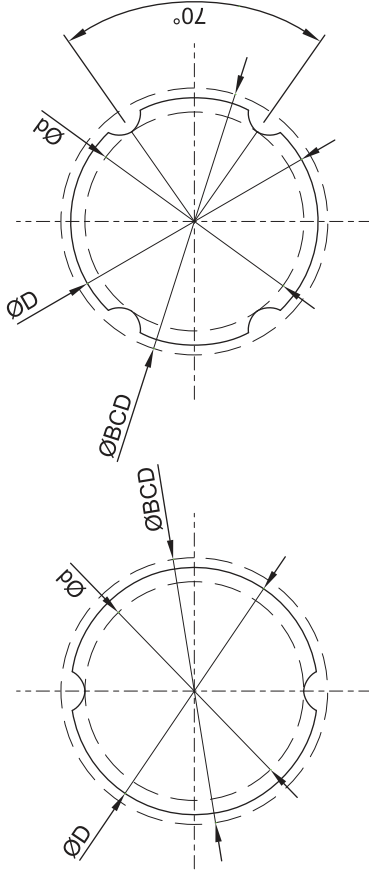


SLF, SLT, SZF Spline Shaft Cross-Sectional Shape

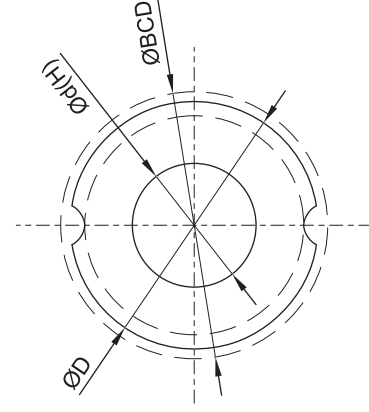
Table 3.1.1, 3.1.2 indicates the cross-section of spline shaft. When the shaft end is round pillar type the minor diameter must not be greater than the diameter of groove ridge.



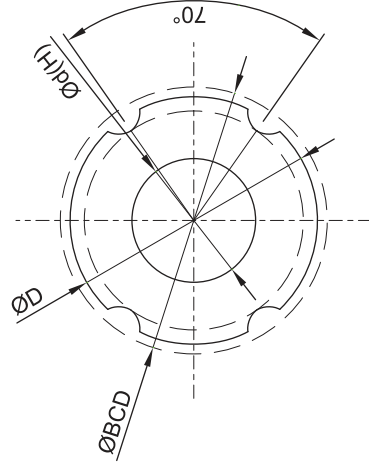
$D \leq 20$

$D \geq 25$

Solid Spline Shaft



$D \leq 20$



$D \geq 25$

Hollow Spline Shaft

Table 3.1.1 Solid Spline Shaft Cross-Sectional Shape

Stats	Nominal Diameter	6	8	10	13	16	20	25	30	40	50
Inner Diameter $\varnothing d$		5.25	7.27	8.97	11.82	14.72	18.63	23.43	28.53	37.3	47.05
Outer Diameter $\varnothing D h7$		6	8	10	13	16	20	25	30	40	50
Mass (kg/m)		0.22	0.39	0.6	1.03	1.56	2.44	3.8	5.49	9.69	15.19
Ball Center $\varnothing BCD$		6.75	8.77	11.35	14.6	17.5	21.8	27	32.1	43.65	54.2
Tolerance μm		0 -15	0 -15	0 -18	0 -18	0 -18	0 -21	0 -21	0 -25	0 -25	0 -30

Table 3.1.2 Hollow Spline Shaft Cross-Sectional Shape

Stats	Nominal Diameter	6	8	10	13	16	20	25	30	40	50
Inner Diameter $\varnothing d$		2	3	4	7	8	10	15	16	20	26
Outer Diameter $\varnothing D h7$		6	8	10	13	16	20	25	30	40	50
Mass (kg/m)		0.177	0.33	0.506	0.872	1.25	1.82	2.92	3.93	6.75	11.4
Ball Center $\varnothing BCD$		6.75	8.77	11.35	14.6	17.5	21.8	27	32.1	43.65	54.2
Tolerance μm		0 -15	0 -15	0 -18	0 -18	0 -18	0 -21	0 -21	0 -25	0 -25	0 -30

Unit : mm