

# Profiles

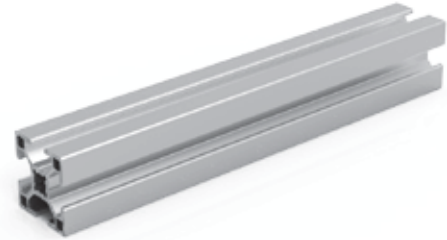
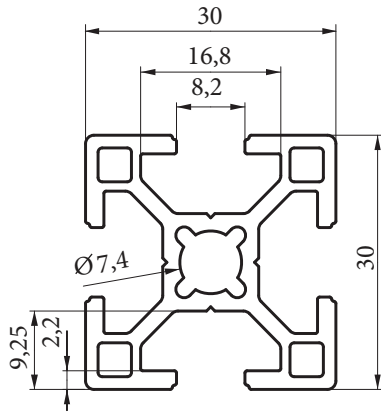
TRANSPORT LINES AND FLEXIBLE CONSTRUCTIONS IN AUTOMATION

**Naziv**  
**Description**

Al Profil 30 x 30  
Al Profile 30 x 30

Al Profilo 30 x 30  
Al Profile 30 x 30

**Descrizione**  
**Beschreibung**



Al Profile 30 x 30

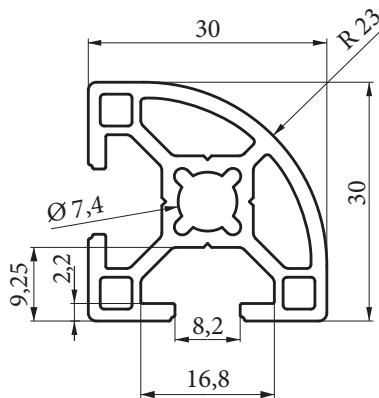
**Code**  
**10003**

**Naziv**  
**Description**

Al Profil 30 x 30 R  
Al Profile 30 x 30 R

Al Profilo 30 x 30 R  
Al Profile 30 x 30 R

**Descrizione**  
**Beschreibung**



Al Profile 30 x 30 R

**Code**  
**10004**