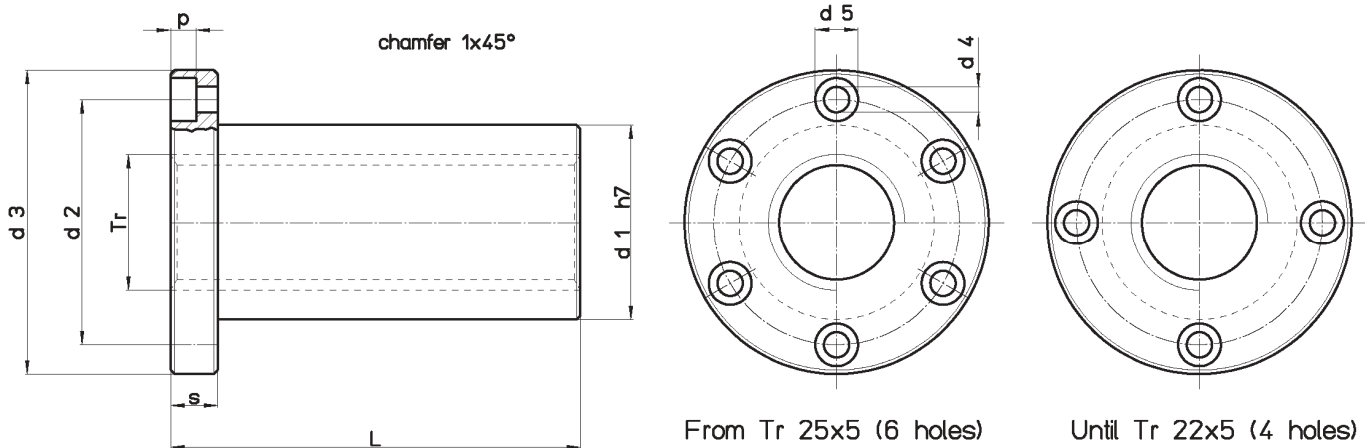


## Trapezoidal nut type HDL - Flanged bronze

**Material: EN 1982 Cu Sn12-C – CC483K**

Flanged Bronze Nut of considerable length  $3 \times Tr$  suitable for operation under load with high loads and/or high movement speed. The special length of  $3 \times Tr$  greatly limits wear. Good lubrication is recommended.

Flange dimensions make them fully interchangeable with FTN, HDL, HAL and FCS (total length and flange thickness change).



Nut Stock no. <b>RIGHT</b>	Nut Stock no. <b>LEFT</b>	Diameter x lead	Thread starts	d1 mm	d2 mm	d3 mm	d4 mm	d5 mm	p mm	L mm	s mm	no. screw holes	Fastening screws (class 8.8)	Wt. kg/each	At mm <sup>2</sup> (1)
HDL 14 A R	HDL 14 A L	Tr 14x4	1	20	30	42	5.5	9,5	5.2	42	10	4	M5	0.151	790
HDL 16 A R	HDL 16 A L	Tr 16x4	1	22	32	45	5.5	9,5	5.2	48	10	4	M5	0.183	1056
HDL 16 B R	--	Tr 16x8 (P4)	2	22	32	45	5.5	9,5	5.2	48	10	4	M5	0.183	1056
HDL 18 A R	HDL 18 A L	Tr 18x4	1	25	35	48	5.5	9,5	5.2	54	10	4	M5	0.233	1356
HDL 20 A R	HDL 20 A L	Tr 20x4	1	30	40	52	5.5	9,5	5.2	60	12	4	M5	0.368	1696
HDL 20 B R	--	Tr 20x8 (P4)	2	30	40	52	5.5	9,5	5.2	60	12	4	M5	0.368	1696
HDL 22 A R	HDL 22 A L	Tr 22x5	1	30	40	52	5.5	9,5	5.2	60	12	4	M5	0.338	1838
HDL 25 A R	HDL 25 A L	Tr 25x5	1	35	48	62	6.5	11	6.5	75	15	6	M6	0.586	2650
HDL 25 B R	--	Tr 25x10 (P5)	2	35	48	62	6.5	11	6.5	75	15	6	M6	0.586	2650
HDL 25 E R	--	Tr 25x25 (P5)	5	35	48	62	6.5	11	6.5	75	15	6	M6	0.586	2650
HDL 28 A R	HDL 28 A L	Tr 28x5	1	40	53	68	6.5	11	6.5	90	18	6	M6	0.903	3600
HDL 28 B R	--	Tr 28x10 (P5)	2	40	53	68	6.5	11	6.5	90	18	6	M6	0.903	3600
HDL 30 A R	HDL 30 A L	Tr 30x6	1	40	53	68	6.5	11	6.5	90	18	6	M6	0.841	3816
HDL 30 B R	--	Tr 30x12 (P6)	2	40	53	68	6.5	11	6.5	90	18	6	M6	0.841	3816
HDL 30 R R	HDL 30 R L	Tr 30x3	1	40	53	68	6.5	11	6.5	90	18	6	M6	0.784	3816
HDL 32 A R	HDL 32 A L	Tr 32x6	1	40	53	68	6.5	11	6.5	90	18	6	M6	0.765	4100
HDL 35 A R	HDL 35 A L	Tr 35x6	1	50	63	78	8.5	14	8.5	105	20	6	M8	1.439	5277
HDL 40 A R	HDL 40 A L	Tr 40x7	1	55	68	84	8.5	14	8.5	120	25	6	M8	1.937	6880
HDL 40 I R	--	Tr 40x10	1	55	68	84	8.5	14	8.5	120	25	6	M8	1.986	6597
HDL 40 B R	--	Tr 40x14 (P7)	2	55	68	84	8.5	14	8.5	120	25	6	M8	1.937	6597
HDL 40 Q R	--	Tr 40x4	1	55	68	84	8.5	14	8.5	120	25	6	M8	1.929	6597
HDL 50 O R	--	Tr 50x6	1	65	80	100	10.5	17	10.5	150	30	6	M10	3.007	10840
HDL 50 A R	HDL 50 A L	Tr 50x8	1	65	80	100	10.5	17	10.5	150	30	6	M10	3.075	10840
HDL 50 I R	--	Tr 50x10	1	65	80	100	10.5	17	10.5	150	30	6	M10	3.127	10600
HDL 60 A R	HDL 60 A L	Tr 60x9	1	75	95	120	12.5	19	12.5	180	35	6	M12	4.797	15700

(1) Total bearing surface between screw and nut teeth on plane perpendicular to axis.