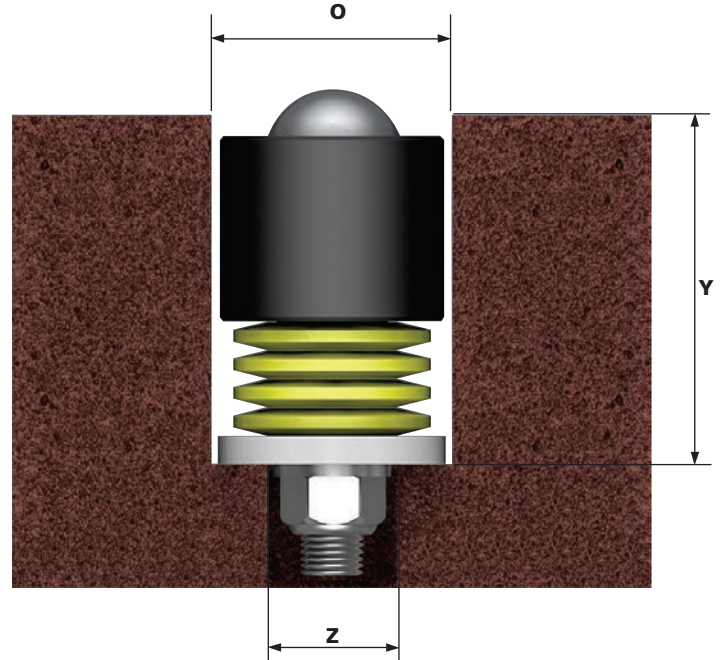
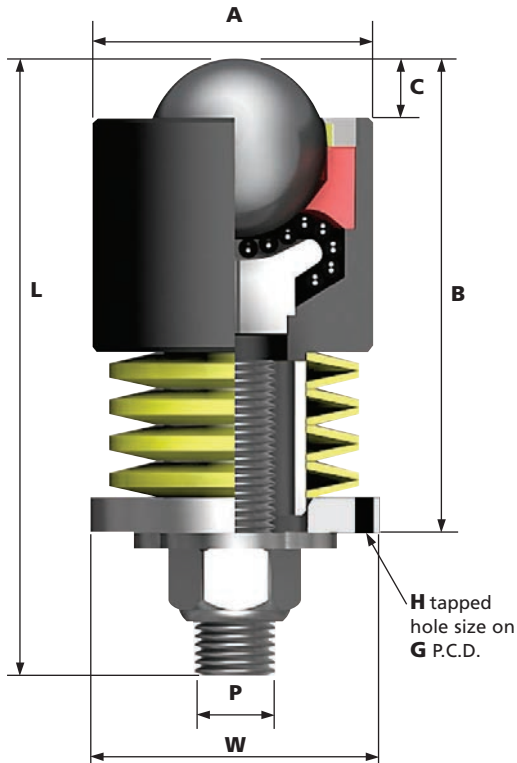


# HEVI-LOAD 5,6 • DIE LIFTERS

## HEVI - LOAD 5

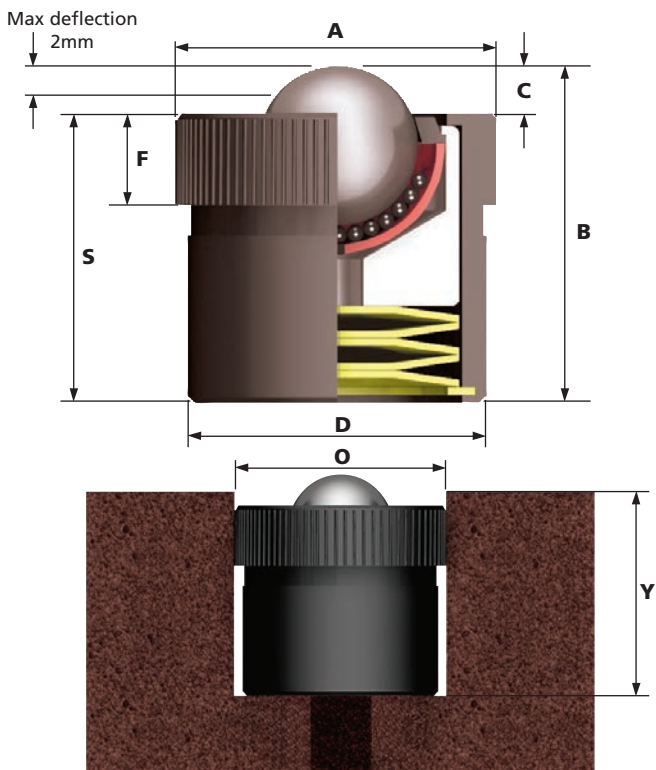
Features: High load capacity, greater shock loading protection. Screw fixing collar for Ø38.1mm and Ø50.8mm ball units only, for secure fixing in ball down applications.

\*Ball units 7107, 7108 and 7109 incorporate the shell ball design and have no seal with a chemical black finish for Types 13 and 16.



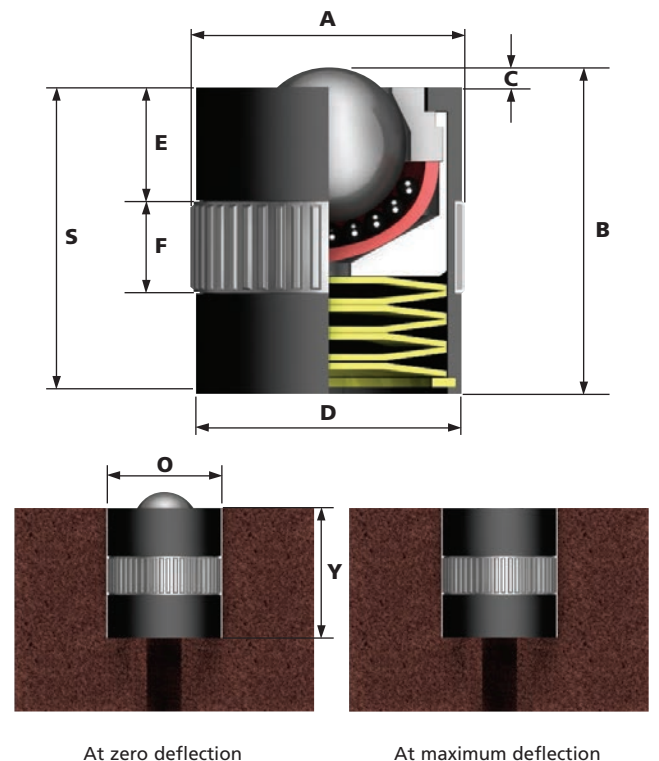
## HEVI - LOAD 6

Features: Compact, interference fitting, greater shock loading protection. Finish: chemical black housing for Types 13 and 16.



## DIE LIFTERS

Features: Tolerance ring for interference fitting for ball up and ball down fitting. Greater shock loading protection. Finish: chemical black housing for Types 13 and 16.



| PATTERN | REF No. | BALL SIZE (mm) | WEIGHT (KGS) | DIMENSIONS (mm) |   |   |   |   |   |   |   |   |   |   |  |
|---------|---------|----------------|--------------|-----------------|---|---|---|---|---|---|---|---|---|---|--|
|         |         |                |              | A               | B | C | G | H | L | O | P | W | Y | Z |  |

| DYNAMIC LOAD CAPACITY (kg) |         |                                  |         |                         |
|----------------------------|---------|----------------------------------|---------|-------------------------|
| SUPPORT LOAD (Kg)          |         | LOAD FOR MAXIMUM DEFLECTION (Kg) |         | MAXIMUM DEFLECTION (mm) |
| TYPE 13                    | TYPE 16 | TYPE 13                          | TYPE 16 |                         |

| HEVI-LOAD 5 | REF No. | BALL SIZE (mm) | WEIGHT (KGS) | A     | B     | C    | G                | H                      | L                              | O                                 | P                | W              | Y                     | Z           |
|-------------|---------|----------------|--------------|-------|-------|------|------------------|------------------------|--------------------------------|-----------------------------------|------------------|----------------|-----------------------|-------------|
|             |         |                |              |       |       |      | Maximum Diameter | Working Height of Ball | Ball Exposure above Outer Ring | P.C.D. or Centres of Fixing Holes | Tapped Hole Size | Overall Length | Seating Hole Diameter | Thread Size |
|             | 7107*   | 12.7           | 0.067        | 20.6  | 32.2  | 3.5  | -                | -                      | 47.0                           | 22                                | M8               | 20.6           | 30.2                  | 16          |
|             | 7108*   |                |              |       | 31.8  |      |                  |                        |                                |                                   |                  |                | 29.8                  |             |
|             | 7109*   |                |              |       | 32.2  |      |                  |                        |                                |                                   |                  |                | 30.2                  |             |
|             | 7138    | 25.4           | 0.517        | 44.5  | 61.9  | 5.6  | -                | -                      | 77.0                           | 46                                | -                | -              | 58.7                  | 22          |
|             | 7132    |                |              |       | 61.5  |      |                  |                        |                                |                                   |                  |                | 58.3                  |             |
|             | 7133    |                |              |       | 60.7  |      |                  |                        |                                |                                   |                  |                | 57.5                  |             |
|             | 7134    |                |              |       | 61.9  |      |                  |                        |                                |                                   |                  |                | 58.7                  |             |
|             | 7135    |                |              |       | 81.0  |      |                  |                        |                                |                                   |                  |                | 77.8                  |             |
|             | 7136    |                |              |       | 79.8  |      |                  |                        |                                |                                   |                  |                | 76.6                  |             |
|             | 7139    | 50.8           | 0.804        | 6.1   | 81.0  | -    | -                | 98.4                   | 52                             | -                                 | M10              | 38.1           | 77.8                  | 22          |
|             | 7155    |                |              |       | 115.5 |      |                  |                        |                                |                                   |                  |                | 109.9                 |             |
|             | 7158    |                |              |       | 121.3 |      |                  |                        |                                |                                   |                  |                | 115.7                 |             |
|             | 7159    | 38.1           | 2.040        | 60.0  | 128.2 | 13   | 50.8 ±0.2        | 3x M5                  | 161.1                          | 62                                | M16              | 59.8           | 122.6                 | 32          |
|             | 7156    |                |              |       | 127.0 |      |                  |                        |                                |                                   |                  |                | 121.4                 |             |
|             | 7160    |                |              |       | 146.1 |      |                  |                        |                                |                                   |                  |                | 139.5                 |             |
|             | 7157    |                |              |       | 156.4 |      |                  |                        |                                |                                   |                  |                | 150.8                 |             |
|             | 7178    |                |              |       | 179.4 |      |                  |                        |                                |                                   |                  |                | 173.1                 |             |
|             | 7175    | 50.8           | 9.0          | 101.6 | 177.4 | 14.3 | 76 ±0.2          | 4x M8                  | 200.8                          | 103                               | M24              | 101.6          | 171.1                 | 44          |
|             | 7176    |                |              |       | 174.6 |      |                  |                        |                                |                                   |                  |                | 168.3                 |             |
|             | 7177    |                |              |       | 171.5 |      |                  |                        |                                |                                   |                  |                | 165.2                 |             |

General Spring Rating Tolerance ±10%

| TYPE 13 | TYPE 16 | TYPE 13 | TYPE 16 | MAXIMUM DEFLECTION (mm) |
|---------|---------|---------|---------|-------------------------|
| 7       | 7       | 30      | 30      | 2                       |
| 15      | 15      | 35      | 35      |                         |
| 25      | 25      | 40      | 40      |                         |
| 7       | 7       | 100     | 100     | 3.2                     |
| 25      | 25      | 110     | 110     |                         |
| 45      | 45      | 120     | 120     |                         |
| 70      | 70      | 125     | 125     |                         |
| 90      | 90      | 210     | 210     |                         |
| 140     | 140     | 245     | 245     |                         |
| 180     | 180     | 270     | 270     |                         |
| 230     | 230     | 310     | 310     | 5.6                     |
| 225     | 225     | 630     | 630     |                         |
| 310     | 185     | 685     | 380     |                         |
| 460     | 230     | 765     | 410     |                         |
| 565     | 375     | 830     | 685     |                         |
| 690     | 460     | 875     | 660     |                         |
| 760     | 565     | 910     | 745     | 6.3                     |
| 795     | 335     | 1370    | 660     |                         |
| 1000    | 685     | 1615    | 955     |                         |
| 1235    | 830     | 1785    | 1030    |                         |
| 1560    | 930     | 1950    | 1520    |                         |

| DIMENSIONS (mm) |   |   |   |   |   |   |   |
|-----------------|---|---|---|---|---|---|---|
| A               | B | C | D | F | O | S | Y |

| HEVI-LOAD 6 | REF No. | BALL SIZE (mm) | WEIGHT (KGS) | A    | B    | C   | D    | F | O                | S    | Y    |
|-------------|---------|----------------|--------------|------|------|-----|------|---|------------------|------|------|
|             | 7105    | 12.7           | 0.078        | 25.6 | 28.5 | 3.1 | 25.4 | 8 | 25.4 +0.15 +0.05 | 25.4 | 26.5 |

|    |    |    |    |   |
|----|----|----|----|---|
| 25 | 25 | 40 | 40 | 2 |
|----|----|----|----|---|

| DIMENSIONS (mm) |   |   |   |   |   |   |   |   |  |  |
|-----------------|---|---|---|---|---|---|---|---|--|--|
| A               | B | C | D | E | F | O | S | Y |  |  |

| DIE-LIFTERS | DL-24 | 12.7 | 0.074 | 24.5 | 30 | 1.5 | 23.9 | 9  | 10.5 | 24.1 | 28.5 | 28.6 |
|-------------|-------|------|-------|------|----|-----|------|----|------|------|------|------|
|             | DL-30 | 15.8 | 0.127 | 30.5 | 36 | 1.5 | 29.9 | 12 | 10.5 | 30.1 | 34.5 | 34.6 |
|             | DL-40 | 25.4 | 0.320 | 40.5 | 48 | 1.5 | 39.8 | 12 | 10.5 | 40.1 | 46.5 | 46.6 |
|             | DL-50 | 30   | 0.660 | 50.5 | 60 | 1.5 | 49.9 | 15 | 12.3 | 50.1 | 58.5 | 58.6 |
|             | DL-70 | 38.1 | 2.000 | 71   | 80 | 2   | 70   | 19 | 19   | 70.2 | 78   | 78.1 |

General Spring Rating Tolerance ±10%

|     |     |     |     |     |
|-----|-----|-----|-----|-----|
| 40  | 40  | 90  | 90  | 1.5 |
| 60  | 60  | 110 | 110 | 1.5 |
| 100 | 100 | 175 | 175 | 1.5 |
| 335 | 200 | 585 | 465 | 1.5 |
| 500 | 325 | 720 | 570 | 2   |

To order, specify REF N° and TYPE, i.e. 7107-13.

General Tolerance unless stated ±0.3mm

