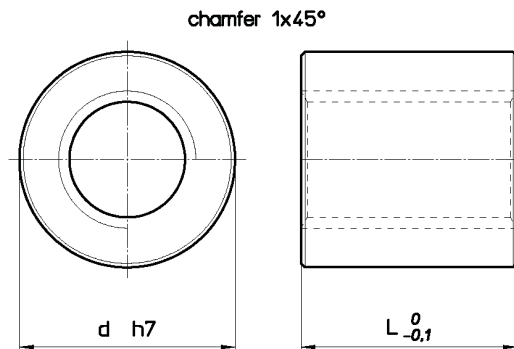


## Trapezoidal nut type HSN - Cylindrical bronze

**Material: EN 1982 Cu Sn5 Zn5 Pb5-C – CC491K**

Cylindrical bronze nut for movement with modest loads compared with FXN, HDL and HAL.

Good lubrication is recommended.

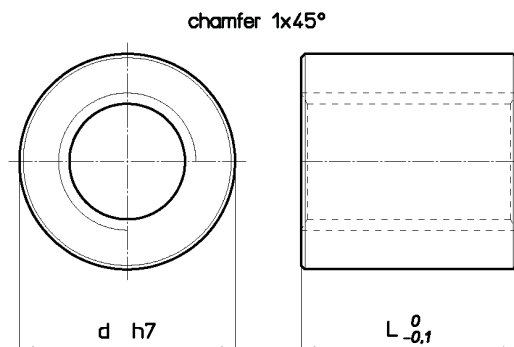


Nut Stock no. <b>RIGHT</b>	Nut Stock no. <b>LEFT</b>	Diameter x lead	Thread starts	d mm	L mm	Wt. kg/each	At mm <sup>2</sup> (1)
HSN 12 A R	HSN 12 A L	Tr 12x3	1	36	36	0.302	594
HSN 14 A R	HSN 14 A L	Tr 14x4	1	36	36	0.290	677
HSN 16 A R	HSN 16 A L	Tr 16x4	1	36	36	0.276	792
HSN 16 B R	--	Tr 16x8 (P4)	2	36	36	0.276	792
HSN 18 A R	HSN 18 A L	Tr 18x4	1	36	36	0.259	905
HSN 20 A R	HSN 20 A L	Tr 20x4	1	40	40	0.354	1130
HSN 20 B R	--	Tr 20x8 (P4)	2	40	40	0.354	1130
HSN 22 A R	HSN 22 A L	Tr 22x5	1	40	40	0.33	1225
HSN 25 A R	HSN 25 A L	Tr 25x5	1	45	45	0.47	1590
HSN 25 B R	--	Tr 25x10 (P5)	2	45	45	0.47	1590
HSN 28 A R	HSN 28 A L	Tr 28x5	1	45	45	0.42	1800
HSN 28 B R	--	Tr 28x10 (P5)	2	45	45	0.42	1800
HSN 30 A R	HSN 30 A L	Tr 30x6	1	50	50	0.60	2120
HSN 30 B R	--	Tr 30x12 (P6)	2	50	50	0.60	2120
HSN 35 A R	HSN 35 A L	Tr 35x6	1	55	55	0.75	2764
HSN 40 A R	HSN 40 A L	Tr 40x7	1	60	60	0.92	3440
HSN 40 B R	--	Tr 40x14 (P7)	2	60	60	0.92	3440
HSN 45 A R	HSN 45 A L	Tr 45x8	1	65	65	1.10	4186
HSN 50 A R	HSN 50 A L	Tr 50x8	1	70	70	1.30	5057
HSN 55 A R	--	Tr 55x9	1	80	80	2.07	6345
HSN 60 A R	HSN 60 A L	Tr 60x9	1	80	80	1.75	6975

## Trapezoidal nut type HBD - Cylindrical bronze

**Material: EN 1982 Cu Sn7 Zn4 Pb7-C – CC493K**

Cylindrical bronze nut for movement with modest loads compared with FXN, HDL and HAL. Good lubrication is recommended.



Nut Stock no. <b>RIGHT</b>	Nut Stock no. <b>LEFT</b>	Diameter x lead	Thread starts	d mm	L mm	Wt. kg/each	At mm <sup>2</sup> (1)
HBD 10 T R	HBD 10 T L	Tr 10x2	1	22	20	0.058	200
HBD 10 A R	HBD 10 A L	Tr 10x3	1	22	20	0.057	320
HBD 12 A R	HBD 12 A L	Tr 12x3	1	26	24	0.094	396
HBD 12 B R	--	Tr 12x6 (P3)	2	26	24	0.094	396
HBD 14 R R	HBD 14 R L	Tr 14x3	1	30	28	0.146	526
HBD 14 A R	HBD 14 A L	Tr 14x4	1	30	28	0.146	526
HBD 16 A R	HBD 16 A L	Tr 16x4	1	36	32	0.245	704
HBD 18 A R	HBD 18 A L	Tr 18x4	1	40	36	0.337	905
HBD 20 A R	HBD 20 A L	Tr 20x4	1	45	40	0.476	1130
HBD 22 A R	HBD 22 A L	Tr 22x5	1	45	40	0.456	1225
HBD 24 A R	HBD 24 A L	Tr 24x5	1	50	48	0.680	1620
HBD 26 A R	HBD 26 A L	Tr 26x5	1	50	48	0.648	1770
HBD 28 A R	HBD 28 A L	Tr 28x5	1	60	60	1.237	2400
HBD 30 A R	HBD 30 A L	Tr 30x6	1	60	60	1.195	2544
HBD 32 A R	HBD 32 A L	Tr 32x6	1	60	60	1.145	2733
HBD 36 A R	HBD 36 A L	Tr 36x6	1	75	72	2.232	3732
HBD 40 A R	HBD 40 A L	Tr 40x7	1	80	80	2.823	4587
HBD 44 A R	HBD 44 A L	Tr 44x7	1	80	80	2.639	5090
HBD 50 A R	HBD 50 A L	Tr 50x8	1	90	100	4.142	7224
HBD 60 A R	HBD 60 A L	Tr 60x9	1	100	120	5.716	10462
HBD 70 A R	HBD 70 A L	Tr 70x10	1	110	140	7.548	10200
HBD 80 A R	HBD 80 A L	Tr 80x10	1	120	160	9.60	18850

(1) Total bearing surface between screw and nut teeth on plane perpendicular to axis.