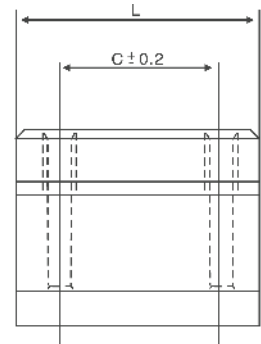
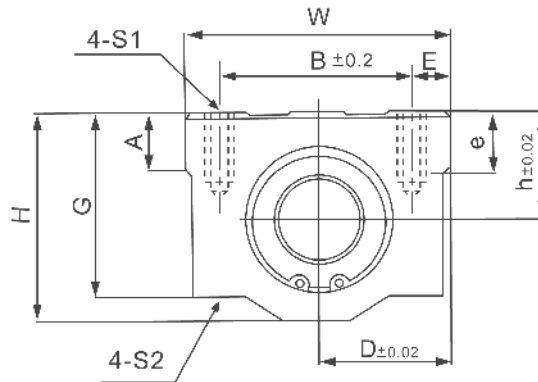


KBA SERIES (EUROPE SERIES)



| Type | Shaft Ø | h | D | W | L | F | G | T | B | C | E | S1xe | S2 | Weight |
|---------|---------|----|----|-----|-----|------|------|----|-----|----|-----|--------|------|--------|
| | (mm) | | | | | | | | | | | | | (g) |
| KBA10UU | 10 | 13 | 20 | 40 | 35 | 26 | 21 | 8 | 28 | 21 | 6 | M5x12 | 4,3 | 92 |
| KBA12UU | 12 | 15 | 22 | 44 | 39 | 30 | 24,5 | 8 | 33 | 26 | 5,5 | M5x12 | 4,3 | 120 |
| KBA16UU | 16 | 19 | 25 | 50 | 44 | 38,5 | 32,5 | 9 | 36 | 34 | 7 | M5x12 | 4,3 | 200 |
| KBA20UU | 20 | 21 | 27 | 54 | 53 | 41 | 35 | 11 | 40 | 40 | 7 | M6x12 | 5,2 | 270 |
| KBA25UU | 25 | 26 | 38 | 76 | 67 | 51,5 | 42 | 12 | 54 | 50 | 11 | M8x18 | 7 | 600 |
| KBA30UU | 30 | 30 | 39 | 78 | 76 | 59,5 | 49 | 15 | 58 | 58 | 10 | M8x18 | 7 | 776 |
| KBA40UU | 40 | 40 | 51 | 102 | 90 | 78 | 62 | 20 | 80 | 60 | 11 | M10x25 | 8,7 | 1590 |
| KBA50UU | 50 | 52 | 61 | 122 | 110 | 102 | 80 | 25 | 100 | 80 | 11 | M10x25 | 8,7 | 3340 |
| KBA60UU | 60 | 58 | 66 | 132 | 137 | 114 | 94 | 30 | 108 | 90 | 12 | M12x25 | 10,7 | 4800 |