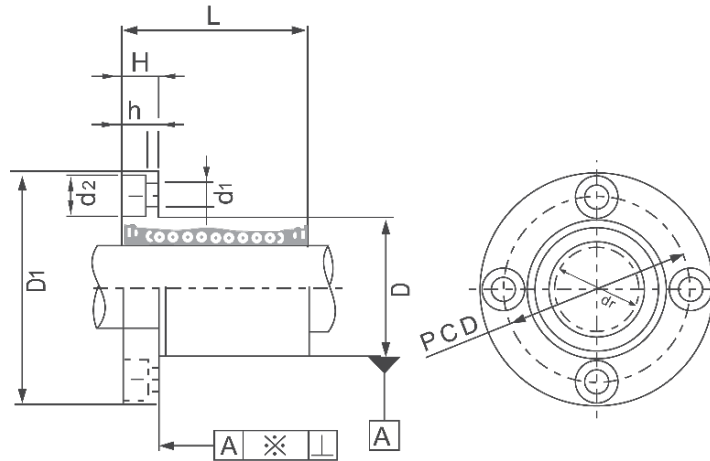
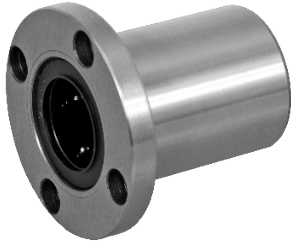


LMSF TYPE



Type	Ball circuit	dr		D		L (±0,3)	D1	PCD	H	d1xd2xh	Eccentricity (max.)	Radial clearance (max.)	Load		Weight
		(mm)	(µm)	(mm)	(µm)								(mm)	(µm)	
LMSF 8UU	4	8	0 -9	15	0 -11	24	32	24	5	3,5x6x3,1	12	-3	280	400	37
LMSF 10UU	4	10		19	0 -13	29	40	29	6	4,5x7,5x4,1			380	560	72
LMSF 12UU	4	12		21		30	42	32	6	4,5x7,5x4,1			520	800	76
LMSF 16UU	5	16		28		37	48	38	6	4,5x7,5x4,1			790	120	120
LMSF 20UU	5	20	0 -10	32	0 -16	42	54	43	8	5,5x9x5,1	15	-6	900	1400	180
LMSF 25UU	6	25		40		59	62	51	8	5,5x9x5,1			1000	1600	340
LMSF 30UU	6	30		45		64	74	60	10	6,6x11x6,1			1600	2800	470
LMSF 35UU	6	35	0 -12	52	0 -19	70	82	67	10	6,6x11x6,1	20	-8	1700	3200	650
LMSF 40UU	6	40		60		80	96	78	13	9x14x8,1			2200	4100	1060

House and balls material: stainless steel