

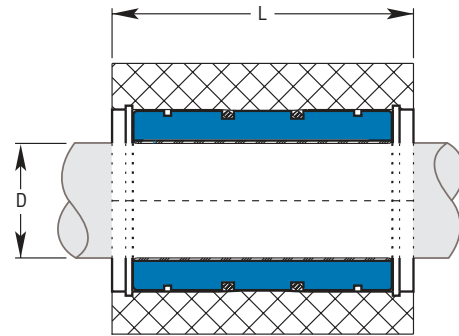
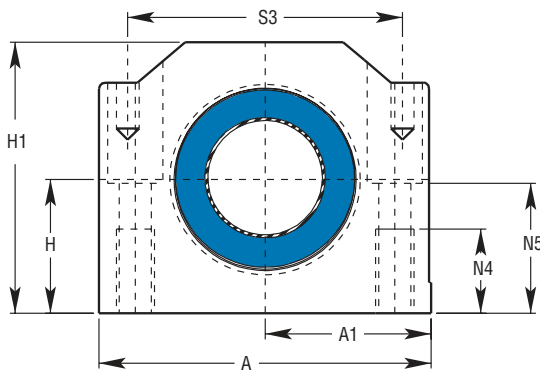
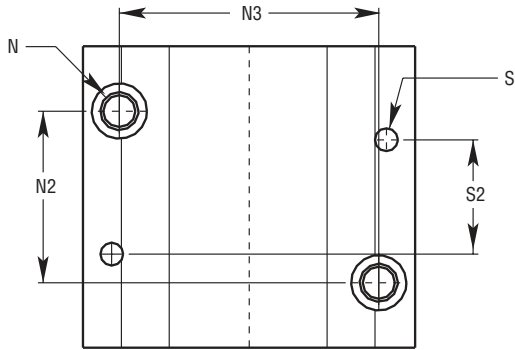


Simplicity® Closed Pillow Blocks

CLOSED PILLOW BLOCKS – PM



Download CAD



DIMENSIONAL INFORMATION

PART NO.	D NOM. BRG. I.D.	H CENTERLINE											MAX. STATIC LOAD LBS.			MAX. STATIC LOAD N		ASSEM. WT. KG.		
			H1	A	A1	L	N	N2	N3	N4	N5	S	S2	S3	FRELON		FRELON			
PRECISION	COMPENSATED	MM	HEIGHT	WIDTH	.015	LENGTH	BOLT								GOLD	J & W	GOLD	J & W		
PM 08	PM 08 C	8	15	28	35	17.5	32	M4 x 0.7	20.15	25.15	9	14.5	N/A	N/A	N/A	926	463	4120	206	0.069
PM 10	PM 10 C	10	16	31.5	40	20	36	M5 x 0.8	20.15	29.15	11	15	4	29	31	1345	672	5984	2992	0.095
PM 12	PM 12 C	12	18	35	43	21.5	39	M5 x 0.8	23.15	32.15	11	16.5	4	32	34	1777	888	7907	3953	0.118
PM 16	PM 16 C	16	22	42	53	26.5	43	M6 x 1.0	26.15	40.15	13	21	4	35	42	2667	1334	11870	5935	0.200
PM 20	PM 20 C	20	25	50	59.3	30	54	M8 x 1.25	32.15	45.15	18	24	5	45	50	4167	2083	18541	9270	0.329
PM 25	PM 25 C	25	30	60	78	39	67	M10 x 1.5	40.15	60.15	22	29	6	20	64	6715	3358	29881	14941	0.655
PM 30	PM 30 C	30	35	71	87	43.5	79	M10 x 1.5	45.15	68.15	22	34	6	30	72	9444	4722	42026	21013	1.020
PM 40	PM 40 C	40	45	91	108	54	91	M12 x 1.75	58.15	86.15	26	44	8	35	90	14814	7407	65923	32962	1.846
PM 50	PM 50 C	50	50	105	132	66	113	M16 x 2.0	50.20	108.20	34	49	10	42	108	23147	11574	103005	51503	3.169

- Notes: (1) Standard pillow block assembly includes self-aligning housing and precision bearing.
 (2) All standard metric pillow blocks use standard FM series bearings.
 (3) Straight bore pillow block assembly includes standard O.D. FM series bearing in straight bore housing.



Only certified Simplicity 60 Plus Shafting provides maximum linear bearing performance.

Inch Series—page 40 Metric Series—page 72

INCH
ISO METRIC
JIS METRIC