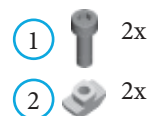
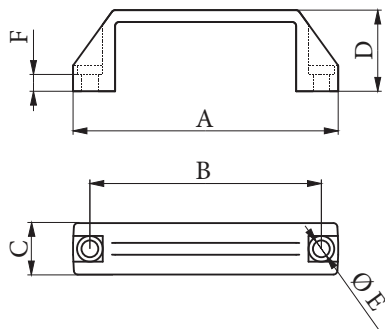


Accessories

TRANSPORT LINES AND FLEXIBLE CONSTRUCTIONS IN AUTOMATION

Naziv Description	Ročaj Bridge handle	Maniglia Bügelgriff	Descrizione Beschreibung
----------------------	------------------------	------------------------	-----------------------------

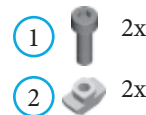
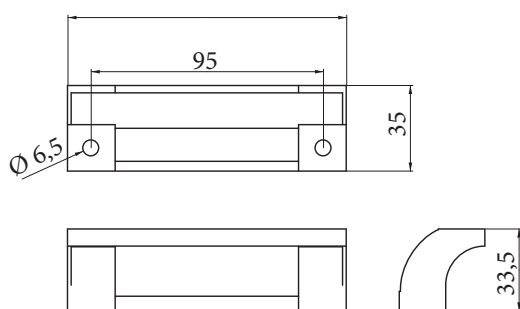


PA6	8/10	A	B	C	D	ØE	F	24g	Code
		107	93,5	21	36	6,5	6		12076
		134	117	26	41	8,5	8,5		12077
		197	179	28	50	8,5	8,5		12078

8	Assembly components - sold separately							Code
	1	Screw with cylindrical head M6x14	35	11003				
	2	Hammer Nut M6 U8	38	11057				

10	Assembly components - sold separately							Code
	1	Screw with cylindrical head M8x20	35	11008				
	2	Hammer Nut M8 U10	38	11061				

Naziv Description	Ročaj zaprt Closed handle	Maniglia chiusa Bügelgriff geschlossen	Descrizione Beschreibung
----------------------	------------------------------	---	-----------------------------



PA6	8/10	Closed handle		34g	Code
					12079

8	Assembly components - sold separately							Code
	1	Screw with cylindrical head M6x14	35	11003				
	2	Hammer Nut M6 U8	38	11057				

10	Assembly components - sold separately							Code
	1	Screw with cylindrical head M6x16	35	11004				
	2	Hammer Nut M6 U10	38	11060				