

Roller rails

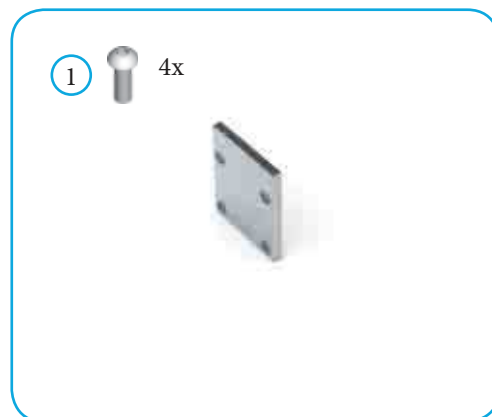
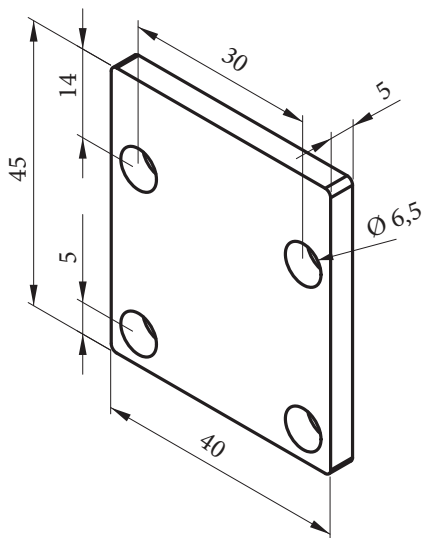
TRANSPORT LINES AND FLEXIBLE CONSTRUCTIONS IN AUTOMATION

Naziv
Description


Zaključna ploščica profila - nizka
End plate - low

Piastra chiusura profilo - bassa
Schlussplatte - Tief

Descrizione
Beschreibung



Zn
Fe

			Code
	Profile end plate - low	51g	14006

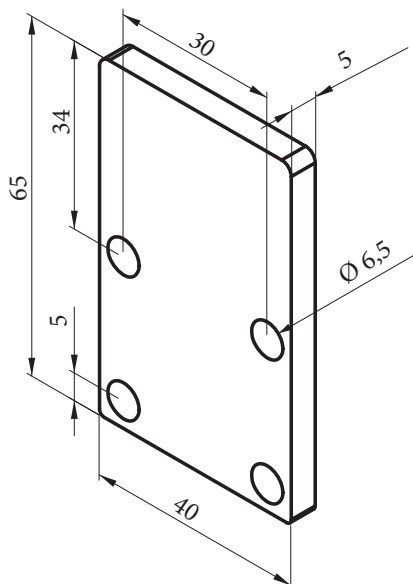
	Assembly components - sold separately		Code
1	Screw with round head M6x16mm	 35	11018

Naziv
Description


Zaklj. plošč. profila valj. p. visoka
Profile end plate - high

Piastra chiusura profilo - alta
Profile schlussplatte - Hoch

Descrizione
Beschreibung



Zn
Fe

			Code
	Profile end plate - high	75g	14007

	Assembly components - sold separately		Code
1	Screw with round head M6x16mm	 35	11018