

# Joining elements

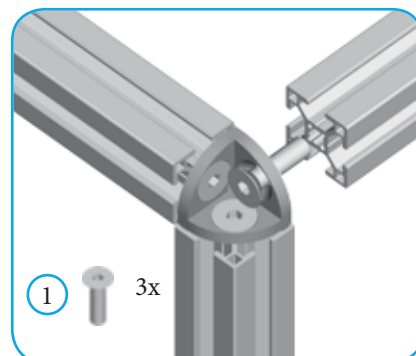
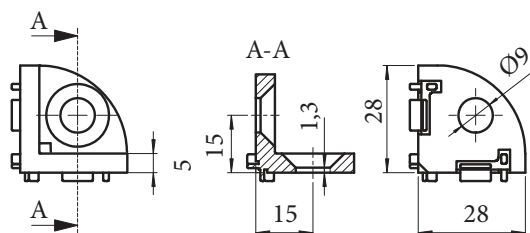
TRANSPORT LINES AND FLEXIBLE CONSTRUCTIONS IN AUTOMATION

**Naziv**  
**Description**

Kotnik vogalni 30 x 30  
3-way Bracket 30 x 30

Angolare a 3-vie 30 x 30  
3Weg Eckwinkel 30 x 30

**Descrizione**  
**Beschreibung**



			<b>Code</b>
3-way Bracket 30 x 30	38g		11111

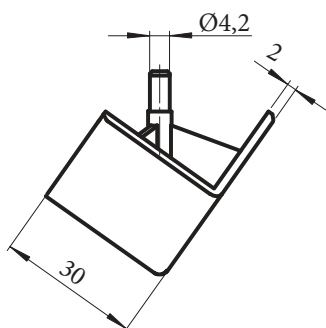
<b>Assembly components - sold separately</b>			<b>Code</b>
1	Screw with countersunk head M8x25	36	11029

**Naziv**  
**Description**

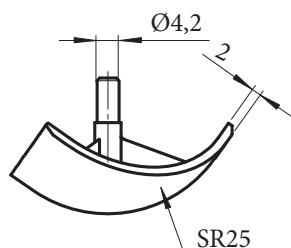
Pokrov za kotnik vogalni 30 x 30  
Cover cap for 3-way Bracket 30 x 30

Tappo per angolare a 3-vie 30 x 30  
3Weg Eckwinkel 30 x 30

**Descrizione**  
**Beschreibung**



			<b>Code</b>
Cover cap for 3-way Bracket 30 x 30	8g		11112



			<b>Code</b>
Cover cap for 3-way Bracket 30 x 30R	6g		11113

# Joining elements

TRANSPORT LINES AND FLEXIBLE CONSTRUCTIONS IN AUTOMATION

**Naziv**  
**Description**

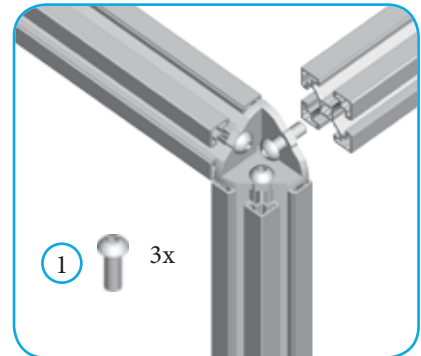
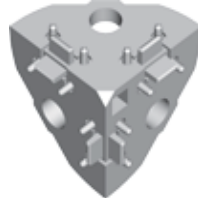
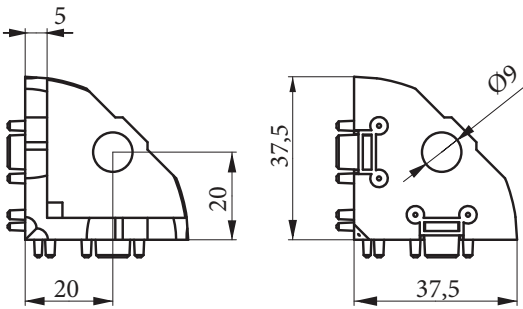
Kotnik vogalni 40 x 40

3-way Bracket 40 x 40

Angolare a 3-vie 40 x 40

3Weg Eckwinkel 40 x 40

**Descrizione**  
**Beschreibung**



Zn



3-way Bracket 40 x 40



76g

**Code**

11145

**Assembly components - sold separately**

**Code**

1

Screw with round head M8x25

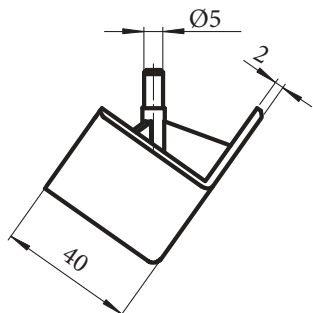
35

11024


# Joining elements

TRANSPORT LINES AND FLEXIBLE CONSTRUCTIONS IN AUTOMATION

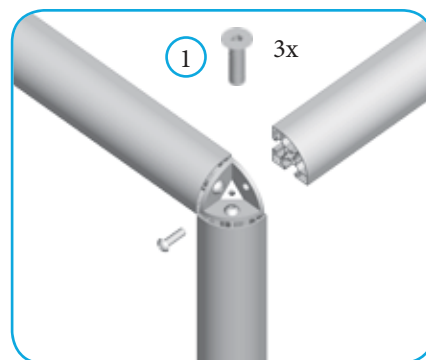
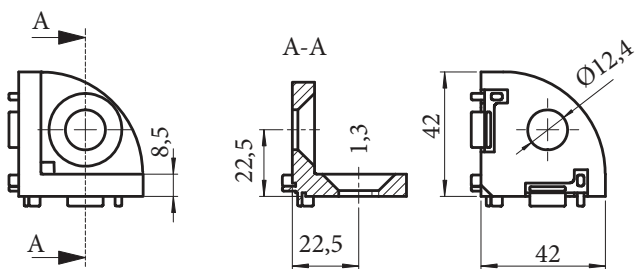
Naziv Description	Pokrov za k. vogalni 40 x 40 C. cap for 3-way Bracket 40 x 40	Tappo per ang. a 3-vie 40 x 40 3Weg Eckwinkel 40 x 40	Descrizione Beschreibung
----------------------	--	--	-----------------------------



PA6  
#


Cover cap for 3-way Bracket	 16g	<b>Code</b> 11146
-----------------------------	---	----------------------

Naziv Description	Kotnik vogalni 45 x 45 3-way Bracket 45 x 45	Angolare a 3-vie 45 x 45 3Weg Eckwinkel 45 x 45	Descrizione Beschreibung
----------------------	---	--	-----------------------------



Zn

10

3-way Bracket 45 x 45	 46g	<b>Code</b> 11114
-----------------------	---	----------------------

Assembly components - sold separately		Code
①	Screw with countersunk head M8x25	 36 11029

# Joining elements

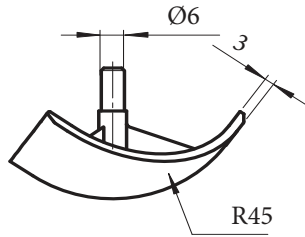
TRANSPORT LINES AND FLEXIBLE CONSTRUCTIONS IN AUTOMATION

**Naziv**  
**Description**

Pokrov za k. vogalni 45 x 45R  
C. cap for 3-way Bracket 45 x 45R

Tappo per ang. a 3-vie 45 x 45R  
3Weg Eckwinkel A. 45 x 45R

**Descrizione**  
**Beschreibung**



PA6  
#

Cover cap for 3-way Bracket 45 x 45R



18g

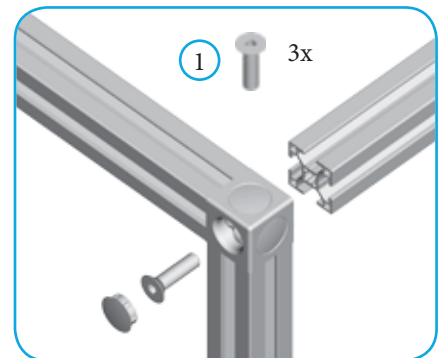
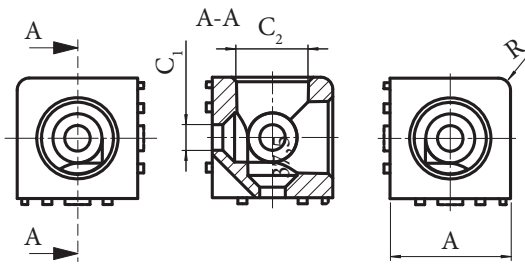
**Code**  
**11115**

**Naziv**  
**Description**

Kotnik kocka 3D  
Cube connector for profile 3D

Connettore cubico 3D  
Würfelverbinder 3D

**Descrizione**  
**Beschreibung**



Zn



A	C <sub>1</sub>	C <sub>2</sub>	R		<b>Code</b>
30	9	18	2	38g	<b>11147</b>

Zn



A	C <sub>1</sub>	C <sub>2</sub>	R		<b>Code</b>
40	8,5	24	4	94g	<b>11148</b>
45	13	24	3	151g	<b>11149</b>

**Assembly components - sold separately**

①

Screw with countersunk head M8x25

36

**Code**  
**11029**