

Joining elements

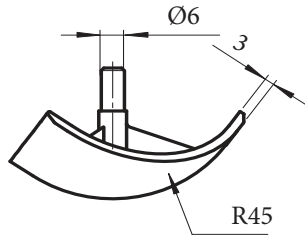
TRANSPORT LINES AND FLEXIBLE CONSTRUCTIONS IN AUTOMATION

Naziv
Description

Pokrov za k. vogalni 45 x 45R
C. cap for 3-way Bracket 45 x 45R

Tappo per ang. a 3-vie 45 x 45R
3Weg Eckwinkel A. 45 x 45R

Descrizione
Beschreibung



PA6
#

Cover cap for 3-way Bracket 45 x 45R



18g

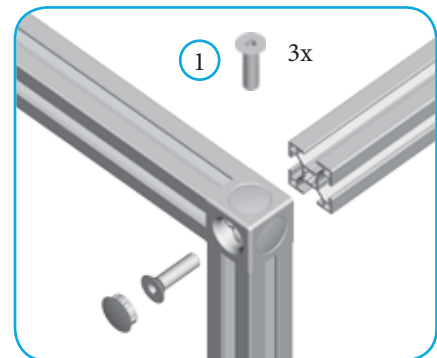
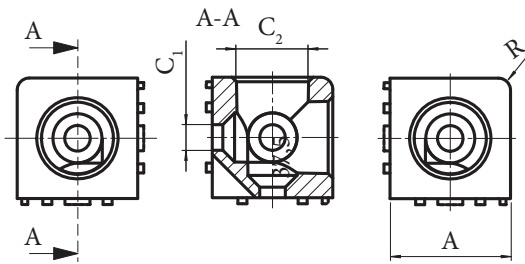
Code
11115

Naziv
Description

Kotnik kocka 3D
Cube connector for profile 3D

Connettore cubico 3D
Würfelverbinder 3D

Descrizione
Beschreibung



Zn



A	C ₁	C ₂	R		Code
30	9	18	2	38g	11147

Zn



A	C ₁	C ₂	R		Code
40	8,5	24	4	94g	11148
45	13	24	3	151g	11149

Assembly components - sold separately

①

Screw with countersunk head M8x25

36

Code
11029