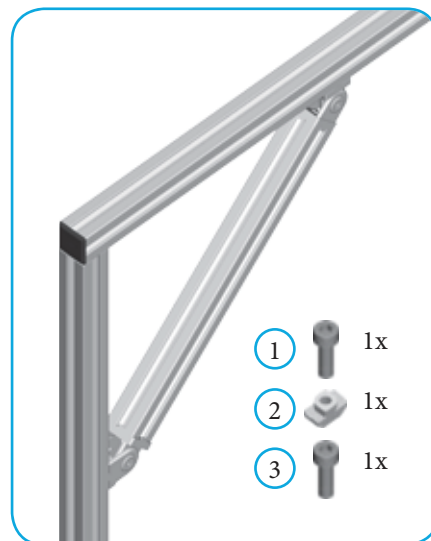
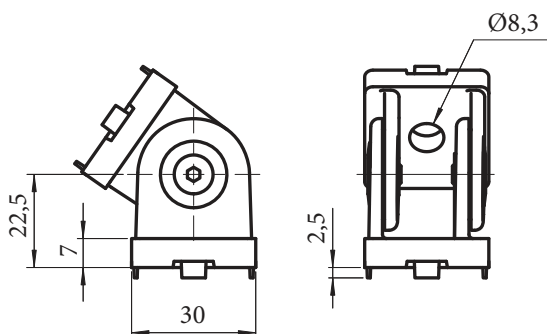


Joining elements

TRANSPORT LINES AND FLEXIBLE CONSTRUCTIONS IN AUTOMATION

Naziv Description	Zglob 30 x 30 Pivot joint 30 x 30	Snodo regolabile 30 x 30 Gelenk 30 x 30	Descrizione Beschreibung
----------------------	--------------------------------------	--	-----------------------------

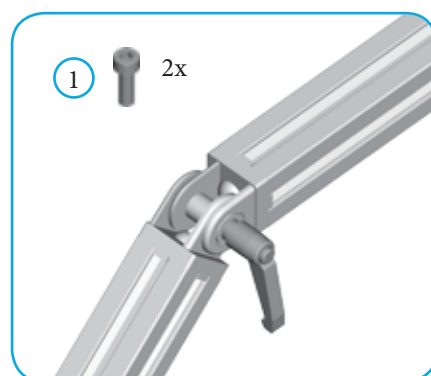
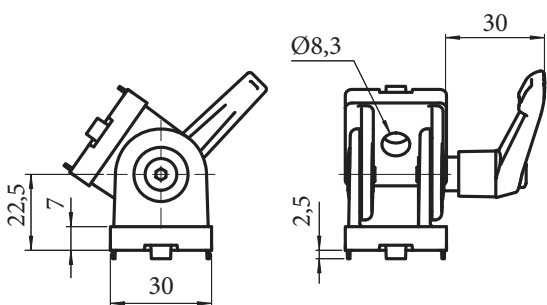


Pivot joint 30 x 30	138g	Code 11123
---------------------	------	----------------------

Površina	Sivo lakirano
Surface	Silver laquered
Superficie	Grigio laccato
Oberfläche	Silber lackierten

Assembly components - sold separately			Code
1	Screw with cylindrical head M8x16	35	11007
2	Hammer Nut M8 U8	38	11064
3	Screw with cylindrical head M8x20	35	11008

Naziv Description	Zglob 30 x 30 z ročico Pivot joint with lever 30 x 30	Snodo con maniglia 30 x 30 Gelenk mit Aretierung 30 x 30	Descrizione Beschreibung
----------------------	--	---	-----------------------------



Pivot joint with lever	150g	Code 11124
------------------------	------	----------------------

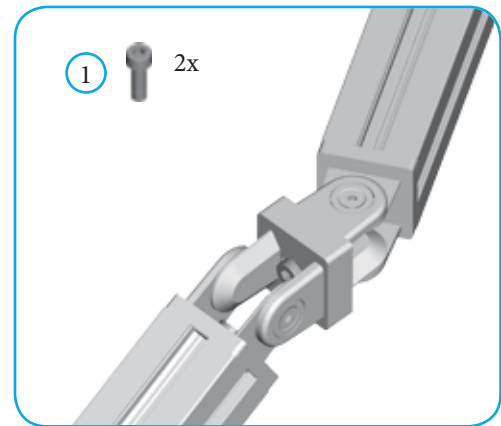
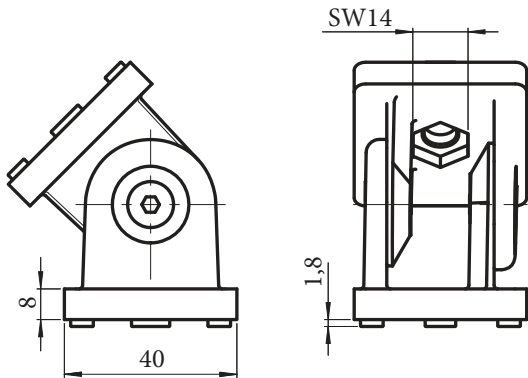
Površina	Sivo lakirano
Surface	Silver laquered
Superficie	Grigio laccato
Oberfläche	Silber lackierten

Assembly components - sold separately			Code
1	Screw with cylindrical head M8x20mm	35	11008

Joining elements

TRANSPORT LINES AND FLEXIBLE CONSTRUCTIONS IN AUTOMATION

Naziv Description	Zglob 40 x 40 Pivot joint 40 x 40	Snodo regolabile 40 x 40 Gelenk 40 x 40	Descrizione Beschreibung
----------------------	--------------------------------------	--	-----------------------------



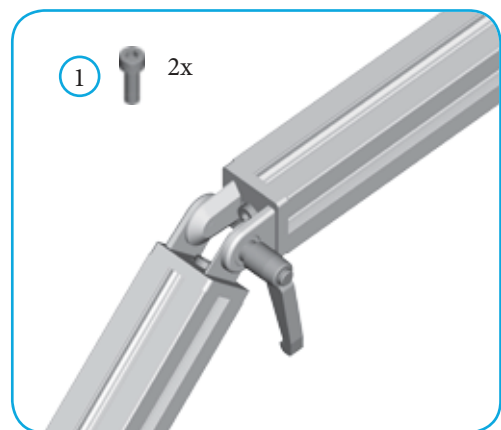
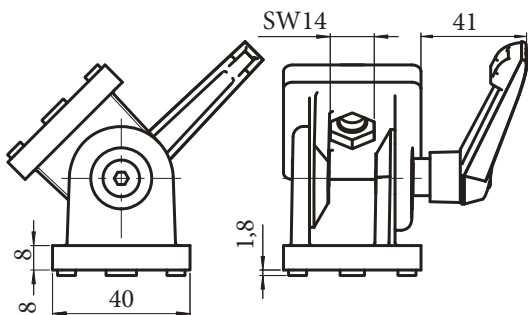
Površina	Sivo lakirano
Surface	Silver laquered
Superficie	Grigio laccato
Oberfläche	Silber lackierten



Pivot joint 40 x 40	280g	Code 11150
---------------------	------	----------------------

Assembly components - sold separately		Code
1	Screw with cylindrical head M8x20mm	35 11008

Naziv Description	Zglob 40 x 40 z ročico Pivot joint with lever 40 x 40	Snodo reg. con maniglia 40 x 40 Gelenk mit Aretierung 40 x 40	Descrizione Beschreibung
----------------------	--	--	-----------------------------



Površina	Sivo lakirano
Surface	Silver laquered
Superficie	Grigio laccato
Oberfläche	Silber lackierten



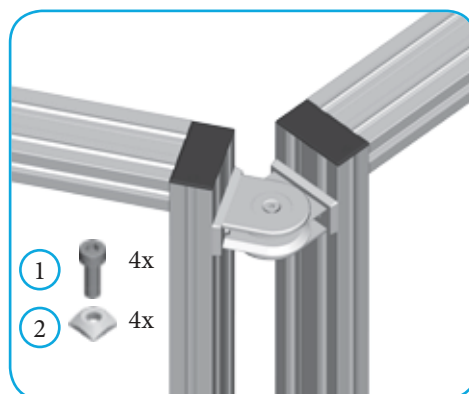
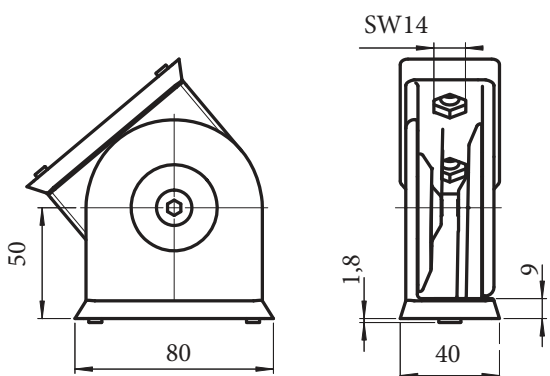
Pivot joint with lever	310g	Code 11151
------------------------	------	----------------------

Assembly components - sold separately		Code
1	Screw with cylindrical head M8x20mm	35 11008

Joining elements

TRANSPORT LINES AND FLEXIBLE CONSTRUCTIONS IN AUTOMATION

Naziv Description	Zglob 40 x 80 Pivot joint 40 x 80	Snodo regolabile 40 x 80 Gelenk 40 x 80	Descrizione Beschreibung
------------------------------------	--------------------------------------	--	---

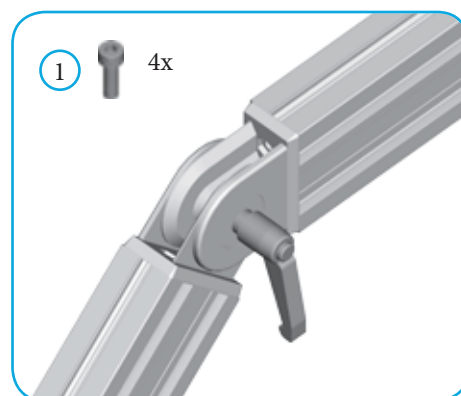
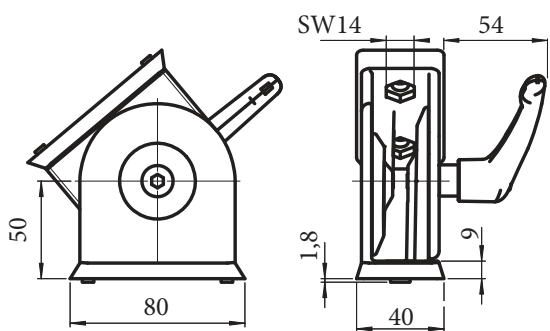


Pivot joint 40 x 80	997g	Code 11089
---------------------	------	-----------------------------

Površina	Sivo lakirano
Surface	Silver laquered
Superficie	Grigio laccato
Oberfläche	Silber lackierten

Assembly components - sold separately		Code
1	Screw with cylindrical head M8x16mm	📄 35 11007
2	Square Nut M8 U10	📄 39 11066

Naziv Description	Zglob 40 x 80 z ročico Pivot joint with lever 40 x 80	Snodo reg. con maniglia 40 x 80 Gelenk mit Aretierung 40 x 80	Descrizione Beschreibung
------------------------------------	--	--	---



Pivot joint with lever	1120g	Code 11090
------------------------	-------	-----------------------------

Površina	Sivo lakirano
Surface	Silver laquered
Superficie	Grigio laccato
Oberfläche	Silber lackierten

Assembly components - sold separately		Code
1	Screw with cylindrical head M8x20mm	📄 35 11008

Joining elements

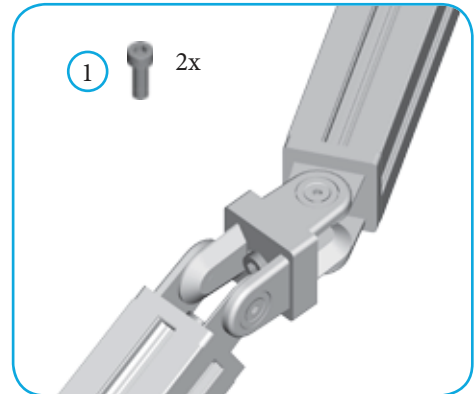
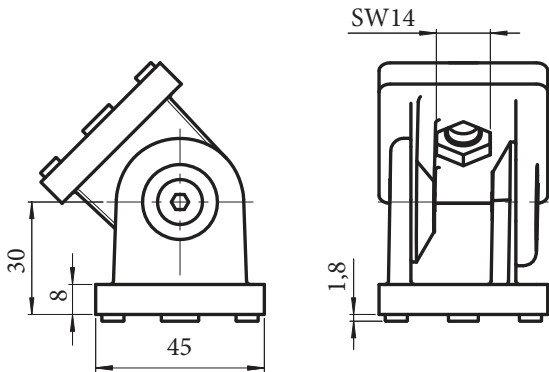
TRANSPORT LINES AND FLEXIBLE CONSTRUCTIONS IN AUTOMATION

Naziv
Description

Zglob 45 x 45
Pivot joint 45 x 45

Snodo regolabile 45 x 45
Gelenk 45 x 45

Descrizione
Beschreibung



Površina Sivo lakirano
Surface Silver laquered
Superficie Grigio laccato
Oberfläche Silber lackierten

Zn



Pivot joint 45 x 45



322g

Code

11125

Assembly components - sold separately

1

Screw with cylindrical head M8x20mm



Code

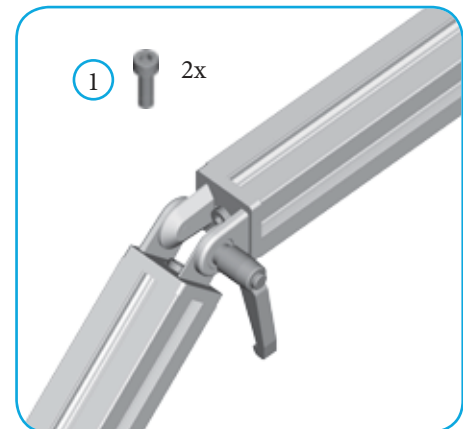
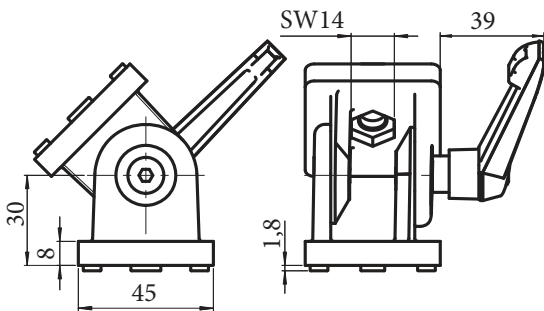
11008

Naziv
Description

Zglob 45 x 45 z ročico
Pivot joint with lever 45 x 45

Snodo reg. con maniglia 45 x 45
Gelenk mit Aretierung 45 x 45

Descrizione
Beschreibung



Površina Sivo lakirano
Surface Silver laquered
Superficie Grigio laccato
Oberfläche Silber lackierten

Zn



Pivot joint with lever



354g

Code

11126

Assembly components - sold separately

1

Screw with cylindrical head M8x20mm



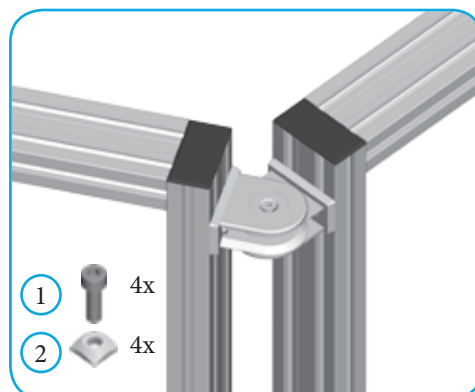
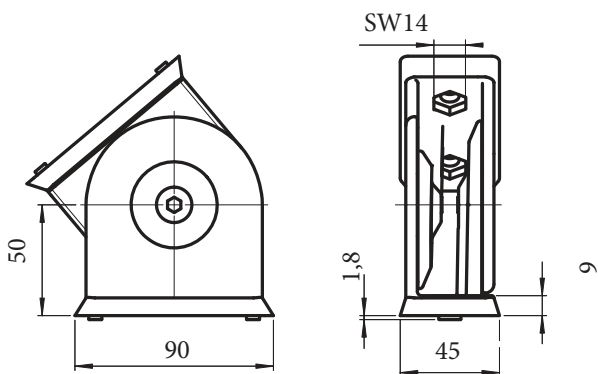
Code

11008

Joining elements

TRANSPORT LINES AND FLEXIBLE CONSTRUCTIONS IN AUTOMATION

Naziv Description	Zglob 45 x 90 Pivot joint 45 x 90	Snodo regolabile 45 x 90 Gelenk 45 x 90	Descrizione Beschreibung
------------------------------------	--------------------------------------	--	---

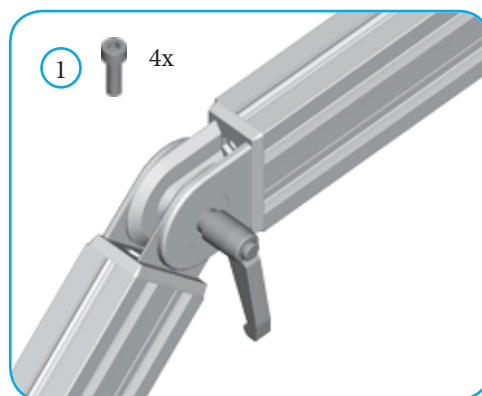
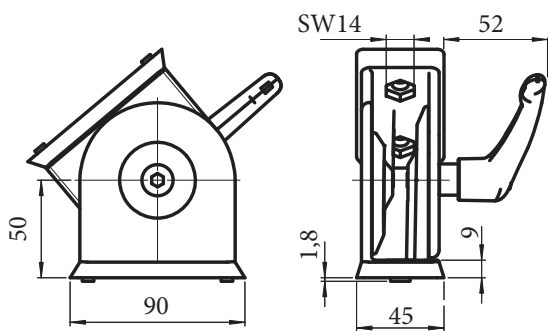


		Code
Pivot joint 45 x 90	1032g	11127

Površina	Sivo lakirano
Surface	Silver laquered
Superficie	Grigio laccato
Oberfläche	Silber lackierten

Assembly components - sold separately		Code
1	Screw with cylindrical head M8x16mm	35 11007
2	Square Nut M8 U10	39 11066

Naziv Description	Zglob 45 x 90 z ročico Pivot joint with lever 45 x 90	Snodo reg. con maniglia 45 x 90 Gelenk mit Aretierung 45 x 90	Descrizione Beschreibung
------------------------------------	--	--	---



		Code
Pivot joint with lever	1166g	11128

Površina	Sivo lakirano
Surface	Silver laquered
Superficie	Grigio laccato
Oberfläche	Silber lackierten

Assembly components - sold separately		Code
1	Screw with cylindrical head M8x20mm	35 11008