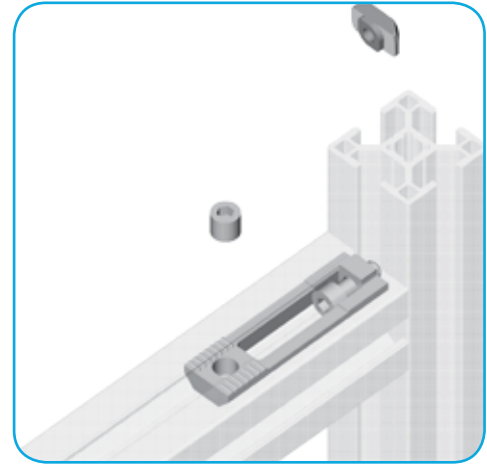
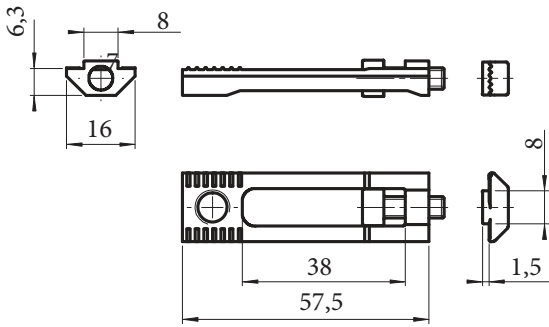



Joining elements

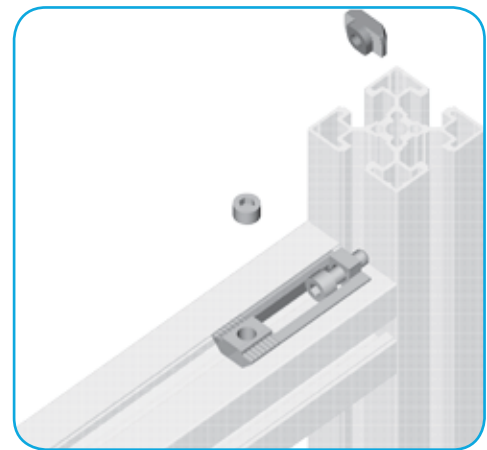
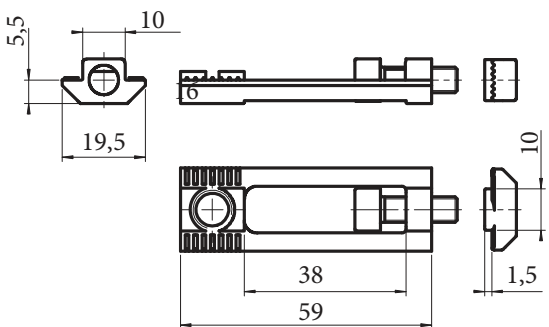
TRANSPORT LINES AND FLEXIBLE CONSTRUCTIONS IN AUTOMATION


Naziv Description	Spojni element U8 Milling connector U8	Raccordo C8 Profilverbinder U8	Descrizione Beschreibung
----------------------	---	-----------------------------------	-----------------------------



Milling connector	 28g	Code 11135
-------------------	---	----------------------

Naziv Description	Spojni element U10 Milling connector U10	Raccordo C10 Profilverbinder U10	Descrizione Beschreibung
----------------------	---	-------------------------------------	-----------------------------



Milling connector	 38g	Code 11136
-------------------	---	----------------------

Joining elements

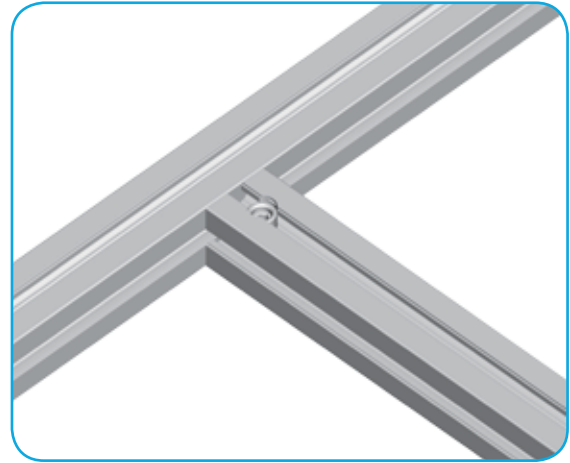
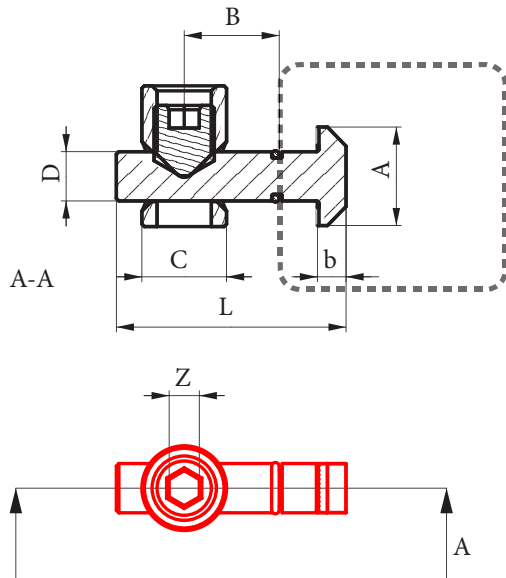
TRANSPORT LINES AND FLEXIBLE CONSTRUCTIONS IN AUTOMATION

Naziv
Description

Spojini element 0°/90°
Milling connector 0°/90°

Raccordo 0°/90°
Profilverbinder 0°/90°

Descrizione
Beschreibung



0°

90°



Zn
Fe



A	B	C	b	D	L	Z		Version	Code
15,5	18	11	5	7	33	4	20g	Milling connector 0°	11153
15,5	18	11	5	7	33	4	20g	Milling connector 90°	11154

Zn
Fe



A	B	C	b	D	L	Z		Version	Code
19,5	24	17	5,5	9,7	45,5	6	56g	Milling connector 0°	11155*
19,5	24	17	5,5	9,7	45,5	6	56g	Milling connector 90°	11156*

*

Ni primeren za profil | Not suitable for profile | Non e' adatto per profilo | Nicht geeignet für Profile

40x40