

SNS/SNO with plastic protective caps



R1605 .0. .. / R1605 .C. ..

For mounting from above with plastic caps

Notes

- ▶ Plastic mounting hole plugs included in scope of supply.
- ▶ Follow the mounting instructions!
Please ask for the “Mounting Instructions for Ball Rail Systems”.
- ▶ Composite guide rails also available.

Further ball guide rails SNS and accessories

- ▶ Corrosion-resistant Resist NR and Resist CR ball guide rails
- ▶ For plastic caps, refer to the accessories for ball guide rails

SNO R1605 .C. ball guide rails .. with flat underside for mounting on components made of cast mineral materials

- ▶ In size 25 – 45 and accuracy class P and SP available on request.

Options and part numbers

Size	Ball guide rail with size	Accuracy class					Number of sections, rail length L (mm), ...		Hole spacing T (mm)	Recommended rail length in accordance with formula $L = n_B \cdot T - 4 \text{ mm}$		
		N	H	P	SP	UP	One-piece	Composite		Maximum number of holes n_B		
15	R1605 10	4	3	2	1	9	31, ...	3, ...	60	64		
20	R1605 80	4	3	2	1	9	31, ...	3, ...	60	64		
25	R1605 20	4	3	2	1	9	31, ...	3, ...	60	64		
30	R1605 70	4	3	2	1	9	31, ...	3, ...	80	48		
35	R1605 30	4	3	2	1	9	31, ...	3, ...	80	48		
45	R1605 40	4	3	2	1	9	31, ...	3, ...	105	36		
55	R1605 50	4	3	2	1	9	31, ...	3, ...	120	32		
65	R1605 60	4	3	2	1	9	31, ...	3, ...	150	25		
e.g.	R1605 70	3					31, 1676					

Ordering example 1 (to L_{max})

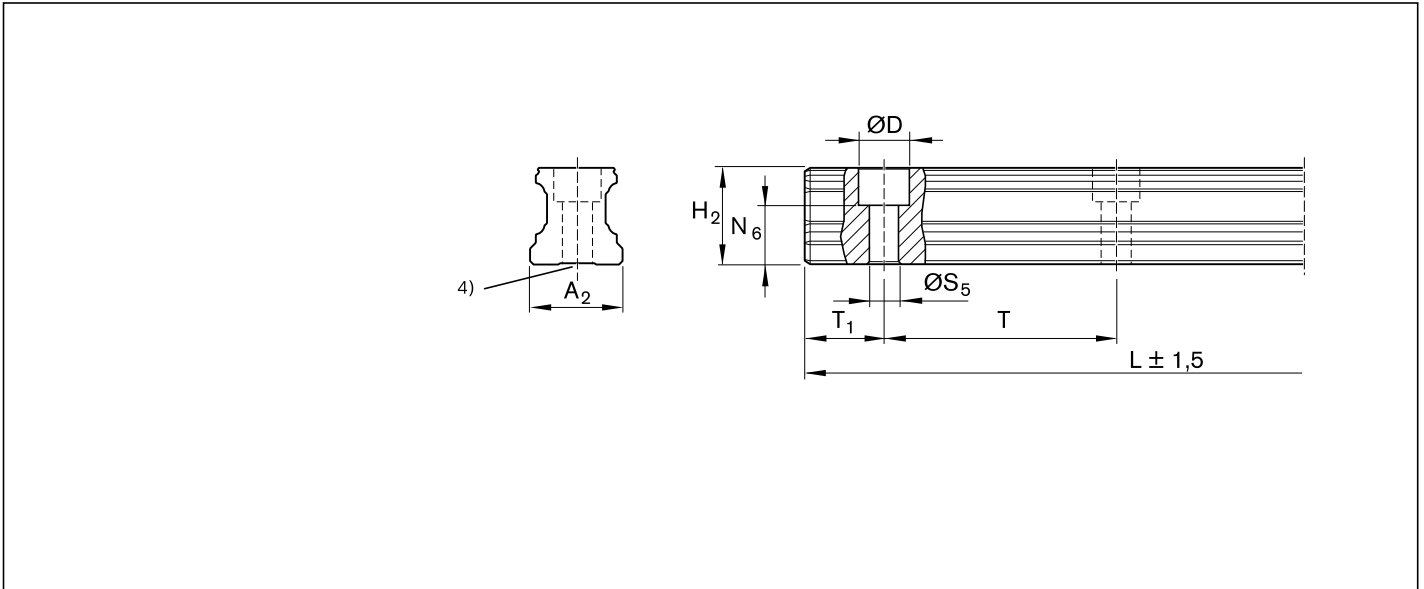
- Options:
- ▶ Ball guide rail SNS
 - ▶ Size 30
 - ▶ Accuracy class H
 - ▶ One-piece
 - ▶ Rail length
L = 1676 mm
- Part number:
R1605 703 31, 1676 mm

Ordering example 2 (above L_{max})

- Options:
- ▶ Ball guide rail SNS
 - ▶ Size 30
 - ▶ Accuracy class H
 - ▶ **2 sections**
 - ▶ Rail length
L = 5116 mm
- Part number:
R1605 703 32, 5116 mm

Ordering example 3 (to L_{max} , with smooth base surface)

- Options:
- ▶ SNO ball guide rail
 - ▶ Size 30
 - ▶ Accuracy class H
 - ▶ One-piece
 - ▶ Rail length
L = 1676 mm
- Part number:
R1605 7C3 31, 1676 mm



Size	Dimensions (mm)										Weight m (kg/m)
	A ₂	D	H ₂ ¹⁾	L _{max} ²⁾	N ₆ ^{±0.5}	S ₅	T	T _{1 min}	T _{1S} ³⁾	T _{1 max}	
15	15	7.4	16.20	3 836	10.3	4.5	60	10	28.0	50	1.4
20	20	9.4	20.55	3 836	13.2	6.0	60	10	28.0	50	2.4
25	23	11.0	24.25	3 836	15.2	7.0	60	10	28.0	50	3.2
30	28	15.0	28.35	3 836	17.0	9.0	80	12	38.0	68	5.0
35	34	15.0	31.85	3 836	20.5	9.0	80	12	38.0	68	6.8
45	45	20.0	39.85	3 776	23.5	14.0	105	16	50.5	89	10.5
55	53	24.0	47.85	3 836	29.0	16.0	120	18	58.0	102	16.2
65	63	26.0	59.85	3 746	38.5	18.0	150	20	73.0	130	22.4

- 1) Dimension H₂ without cover strip
- 2) One-piece ball guide rails are available for size 20 – 45 in accuracy classes N, H and P with size 20 – 25 up to 5816 mm being available on request. Size 30 – 35 up to 5836 mm available on request. Size 45 up to 5771 mm available on request.
- 3) Preferred dimension T_{1S} with tolerances ± 0.75 is recommended.
- 4) SNO ball guide rails with smooth base surface (without base groove).