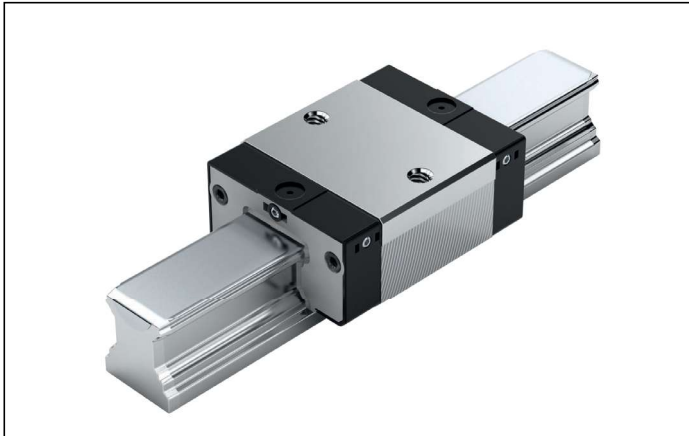


SKN – slimline, short, low profile R1664 ... 1.

**Dynamic characteristics**Travel speed: $v_{\max} = 3 \text{ m/s}$ Acceleration: $a_{\max} = 250 \text{ m/s}^2$ (If $F_{\text{comb}} > 2.8 \cdot F_{\text{pr}}$: $a_{\max} = 50 \text{ m/s}^2$)**Note on lubrication**

▶ Not pre-lubricated

Note

For all SNS/SNO ball guide rails.

Options and part numbers

Size	Ball runner block with size	Preload class		Accuracy class		Seal with ball runner blocks without ball chain	
		C0	C1	N	H	SS	LS
20	R1664 8	9	1	4	3	10	11
25 ¹⁾	R1664 2	9	1	4	3	10	11
e.g.	R1664 8		1		3	10	

1) BSHP ball runner block

Order example

Options:

- ▶ SKN ball runner block
- ▶ Size 20
- ▶ Preload class C1
- ▶ Accuracy class H
- ▶ With standard seal, without ball chain

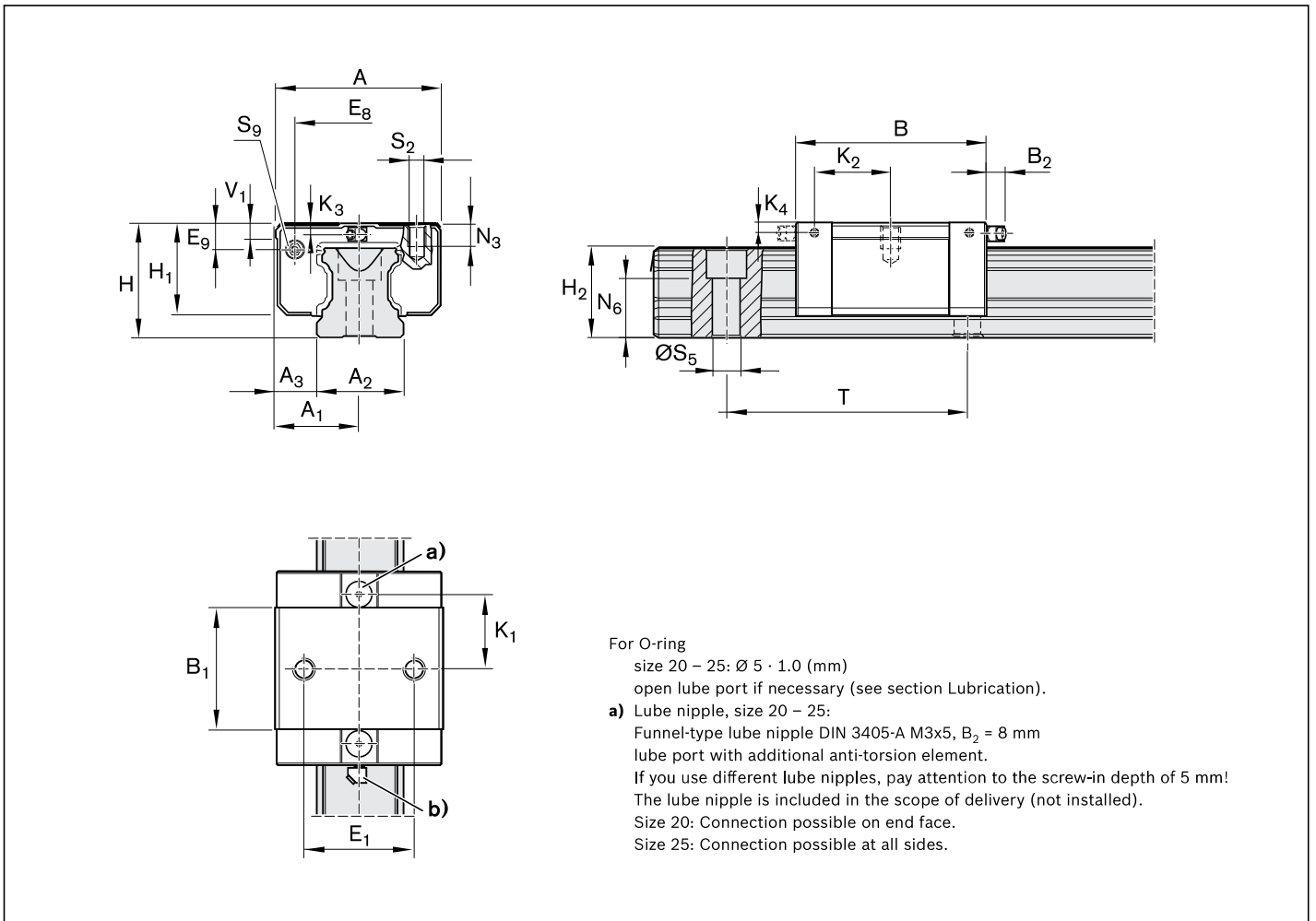
Part number:

R1664 813 10

Preload classesC0 = Without preload (clearance)
C1 = Moderate preload**Seals**SS = standard seal
LS = low-friction seal**Key**

Gray digits

= No preferred variant/combination
(Some delivery times may be longer)



For O-ring
 size 20 – 25: $\varnothing 5 \cdot 1.0$ (mm)
 open lube port if necessary (see section Lubrication).
a) Lube nipple, size 20 – 25:
 Funnel-type lube nipple DIN 3405-A M3x5, $B_2 = 8$ mm
 lube port with additional anti-torsion element.
 If you use different lube nipples, pay attention to the screw-in depth of 5 mm!
 The lube nipple is included in the scope of delivery (not installed).
 Size 20: Connection possible on end face.
 Size 25: Connection possible at all sides.

Size	Dimensions (mm)																
	A	A ₁	A ₂	A ₃	B ^{+0.5}	B ₁	E ₁	E ₈	E ₉	H	H ₁	H ₂ ¹⁾	H ₂ ²⁾	K ₁	K ₂	K ₃	K ₄
20	42	21	20	11.0	55	31.9	32	30.5	5.6	28	23.0	20.75	20.55	20.1	-	3.6	-
25	48	24	23	12.5	62	38.6	35	38.3	8.5	33	26.5	24.45	24.25	24.5	25.0	4.1	4.1

Size	Dimensions (mm)							Weight (kg)	Load capacities ³⁾ (N)		Load moments ³⁾ (Nm)			
	N ₃	N ₆ ^{±0.5}	S ₂	S ₅	S ₉	T	V ₁			C ₀		M _{t0}		M _{L0}
20	6.3	13.2	M5	6.0	M3x5	60	6.0	0.20	9 600	13 600	120	170	40	58
25	7.0	15.2	M6	7.0	M3x5	60	7.5	0.30	19 800	21 200	280	300	130	140

- 1) Dimension H₂ with cover strip
- 2) Dimension H₂ without cover strip
- 3) Load capacities and load moments for ball runner blocks **without** ball chain.
 Determination of the dynamic load capacities and load moments is based on a 100,000 m travel life according to DIN ISO14728-1. Often only 50,000 m are actually stipulated. For comparison: Multiply values **C**, **M_t** and **M_L** by 1.26 according to the table.