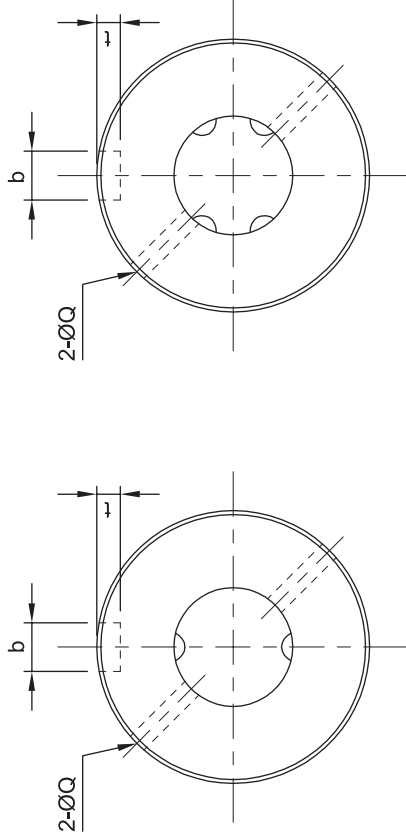
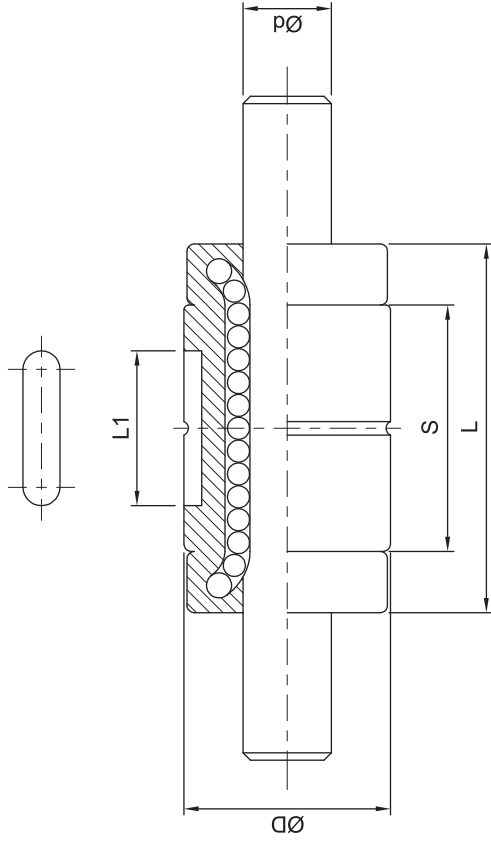


SLT Series Specifications



< Two row >

< Four row >

Shaft diameter $d \leq 20$

Shaft diameter $d \geq 25$

Model No.	Diameter		Row	Spline Nut Dimension				Oil		Keyway Dimensions			
	d	h7		D	L	S	L1	Oil	Q	b	H8	t	
SLT006	6	6	2	14	25	16.7	10.5	1	Q	2.5	1.2	1.2	
SLT008	8	8	2	16	27	15.7	10.5	1.5	1.5	2.5	1.2	1.2	
SLT010	10	10	2	21	33	20	13	1.5	1.5	3	1.5	1.5	
SLT013	13	13	2	24	36	23	15	1.5	1.5	3	1.5	1.5	
SLT016	16	16	2	31	50	34	17.5	2	2	3.5	2	2	
SLT020	20	20	2	35	56	39.7	29	2	2	4	2.5	2.5	
SLT025	25	25	4	42	71	50.3	36	3	3	4	2.5	2.5	
SLT030	30	30	4	47	80	60	42	3	3	4	2.5	2.5	
SLT040	40	40	4	64	100	70	52	4	4	6	3.5	3.5	
SLT050	50	50	4	80	125	91	58	4	4	8	4	4	

Model No.	Basic Load Rating		Basic Torsion		Static Permissible Moment		Mass	
	C	C0	CT	C0T	MA1	MA2	Spline Nut	Spline Shaft
	kgf	kgf	kgf · m	kgf · m	kgf · m	kgf · m	g	kg/m
SLT006	137	225	0.46	0.76	0.39	3.48	14	0.22
SLT008	137	225	0.60	0.99	0.39	3.82	16	0.39
SLT010	285	397	1.62	2.25	0.95	8.53	37	0.60
SLT013	396	540	2.89	3.94	1.50	12.46	52	1.03
SLT016	545	849	4.77	7.43	3.71	26.09	130	1.56
SLT020	724	1109	7.90	12.09	5.53	38.00	188	2.44
SLT025	1003	1593	21.99	43.01	10.35	68.59	285	3.80
SLT030	1160	1960	30.26	62.93	15.68	93.27	395	5.49
SLT040	2972	4033	105.37	176.05	36.59	264.34	843	9.69
SLT050	4086	5615	179.89	304.35	51.58	428.72	1758	15.19