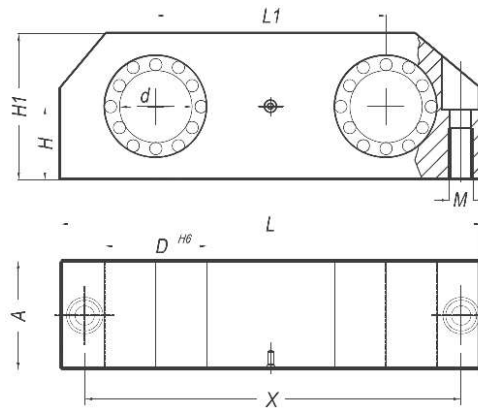


## SMCC TYPE



Type	Shaft Ø	A	H	H1	L	L1	M	X	Weight
	(mm)								(g)
SMCC12KHPP	12	28	15	30	80	40	M5	69	188
SMCC16KHPP	16	30	17,5	35	96	52	M5	86	256
SMCC20KHPP	20	30	20	40	115	63	M6	103	316
SMCC25KHPP	25	40	25	50	136	75	M8	123	632
SMCC30KHPP	30	50	28	56	146	80	M8	133	890
SMCC40KHPP	40	60	35	70	184	97	M10	166	1660
SMCC50KHPP	50	70	40	80	210	107	M12	189	2250

In the aluminium housing is 2db KH-PP bushing.  
This product is the KTC support unit compatible.